

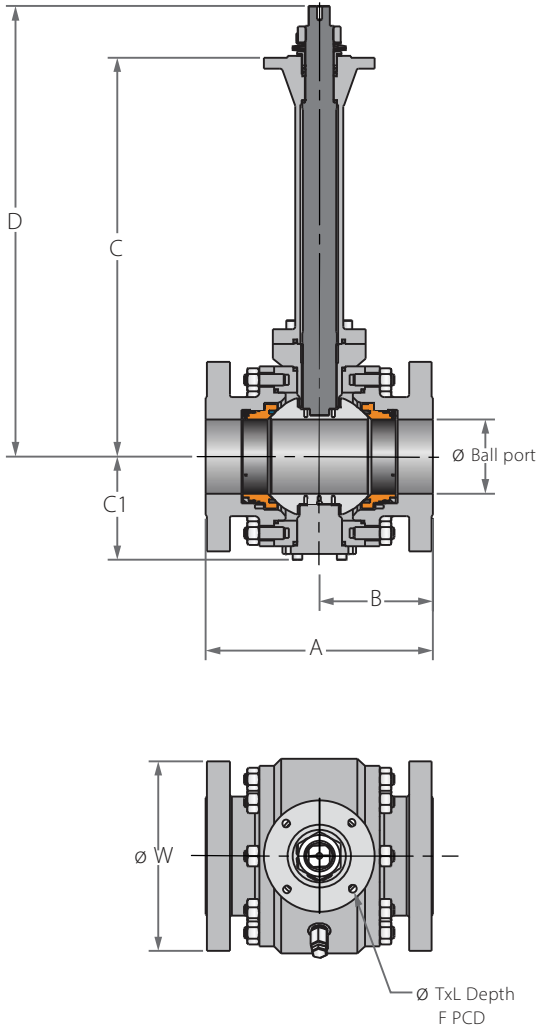
C95

C96

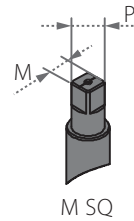
2"-6" | DN50-DN150 | CLASS 1500/2500

Cryogenic High Pressure Trunnion Mounted Ball 3 Piece

Valve dimensions



Preparation for actuation

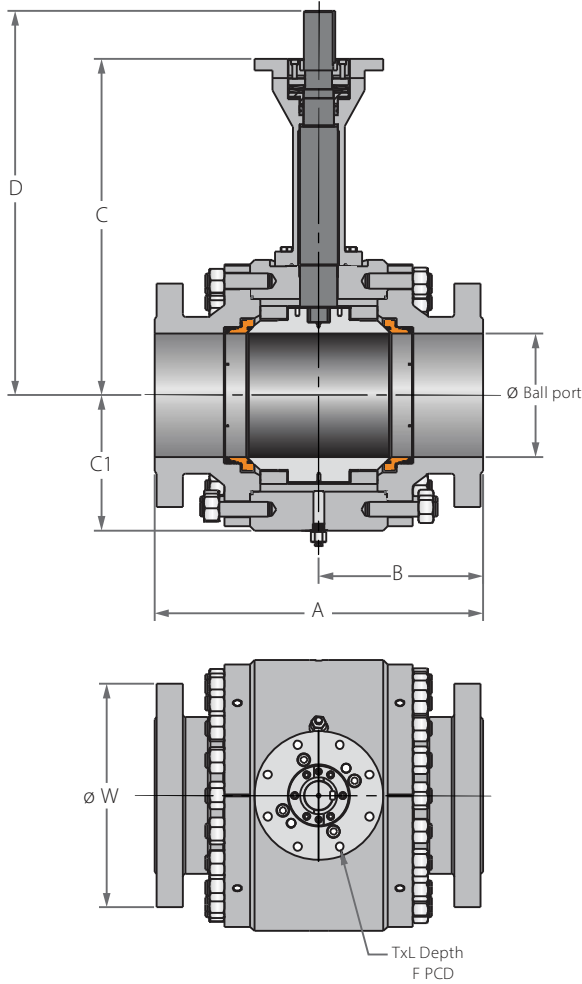


Std. port	Unit	Ball port		A		B		C	C1	D	W		M SQ	P SQ	F	TxL	Weight kg/lb		Kv / Cv		
		1500	2500	150	300	150	300				150	300					150	300	150	300	
DN50	mm	49	42	368	451	184	225.5	500	127	569	215	235	28.45	35	(F12)	125	M12X15	90	179	281	260
2"	inch	1.93	1.65	14.49	17.76	7.24	8.88	19.69	5	22.4	8.46	9.25	1.12	1.38	4.92	M12X15 (4 holes)	198	395	325	300	
DN80	mm	74	62	470	578	235	289	550	201.5	619	265	305	28.45	35	(F12)	125	M12X15	175	340	735	649
3"	inch	2.91	2.44	18.5	22.76	9.25	11.38	21.65	7.93	24.37	10.43	12.01	1.12	1.38	4.92	M12X15 (4 holes)	386	750	850	750	
DN100	mm	100	87	546	673	273	336.5	600	198.5	712	310	355	35.9	43.5	(F14)	140	M16X20	330	646	1384	1228
4"	inch	3.94	3.43	21.5	26.5	10.75	13.25	23.62	7.81	28.03	12.2	13.98	1.41	1.71	5.51	M16X20 (4 holes)	728	1424	1600	1420	
DN150	mm	144	131	705	914	352.5	457	608	272	763	395	485	45.9	59	(F16)	165	M20x30	627	1227	3590	2206
6"	inch	5.67	5.16	27.76	35.98	13.88	17.99	23.94	10.71	30.04	15.55	19.09	1.81	2.32	6.5	M20x30 (4 holes)	1382	2705	4150	2550	

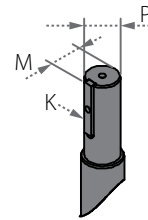


Cryogenic High Pressure Trunnion Mounted Ball 3 Piece

Valve dimensions



Preparation for actuation



Std. port	Unit	Ball port		A		B		C	C1	D	W		P	M	K	F	TxL	Weight kg/lb		Kv / Cv		
		1500	2500	150	300	150	300				1500	2500						1500	2500	1500	2500	
DN200	mm	201.00	179.00	832.00	1022.00	416.00	511.00	705.00	273.00	780.00	485.00	550.00	72.00	76.90	20.00	(F25)	254.00	18x25	1000	2330	6963	4758
8"	inch	7.91	7.05	32.76	40.24	16.38	20.12	27.76	10.75	30.71	19.09	21.65	2.83	3.03	0.79		10.00	(8 holes)	2205	5137	8050	5500
DN250	mm	239.00	223.00	991.00	1270.00	495.50	635.00	742.00	374.00	846.00	585.00	675.00	120.00	104.40	28.00	(F35)	356.00	32x45	1900	3623	11418	7389
10"	inch	9.41	8.78	39.02	50.00	19.51	25.00	29.21	14.72	33.31	23.03	26.57	4.72	4.11	1.10		14.01	(8 holes)	4189	7987	13200	8542
DN300	mm	287.00	265.00	1130.00	1422.00	565.00	711.00	800.00	512.00	930.00	675.00	760.00	98.00	104.40	28.00	(F40)	406.00	38x55	2705	4875	16868	10508
12"	inch	11.30	10.43	44.49	55.98	22.24	27.99	31.50	20.16	36.61	26.57	29.92	3.86	4.11	1.10		15.98	(8 holes)	5963	10747	19500	12148

C91

C92

C93

C94

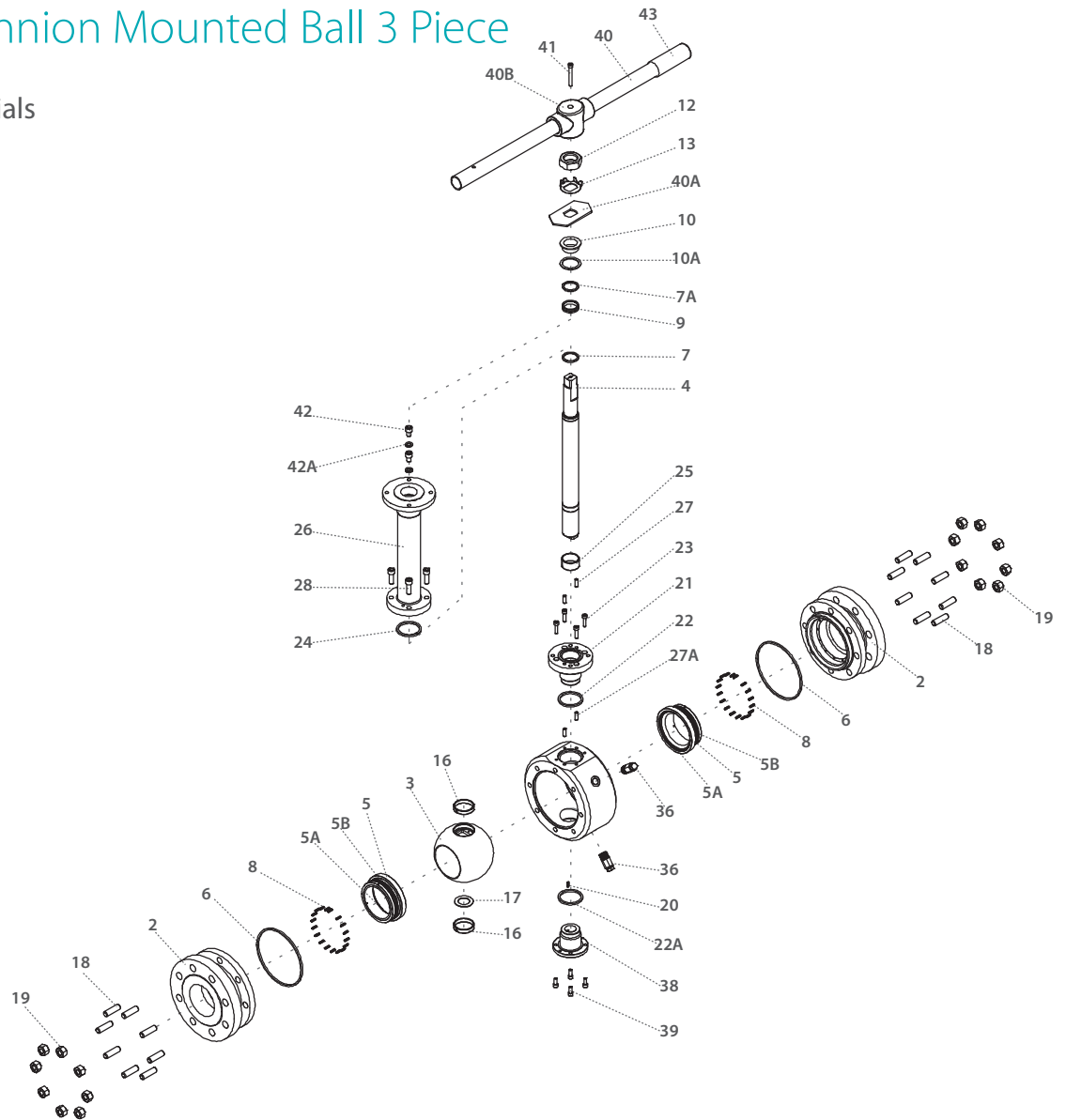
C95

C96

2"-6"

Cryogenic Trunnion Mounted Ball 3 Piece

Components & materials



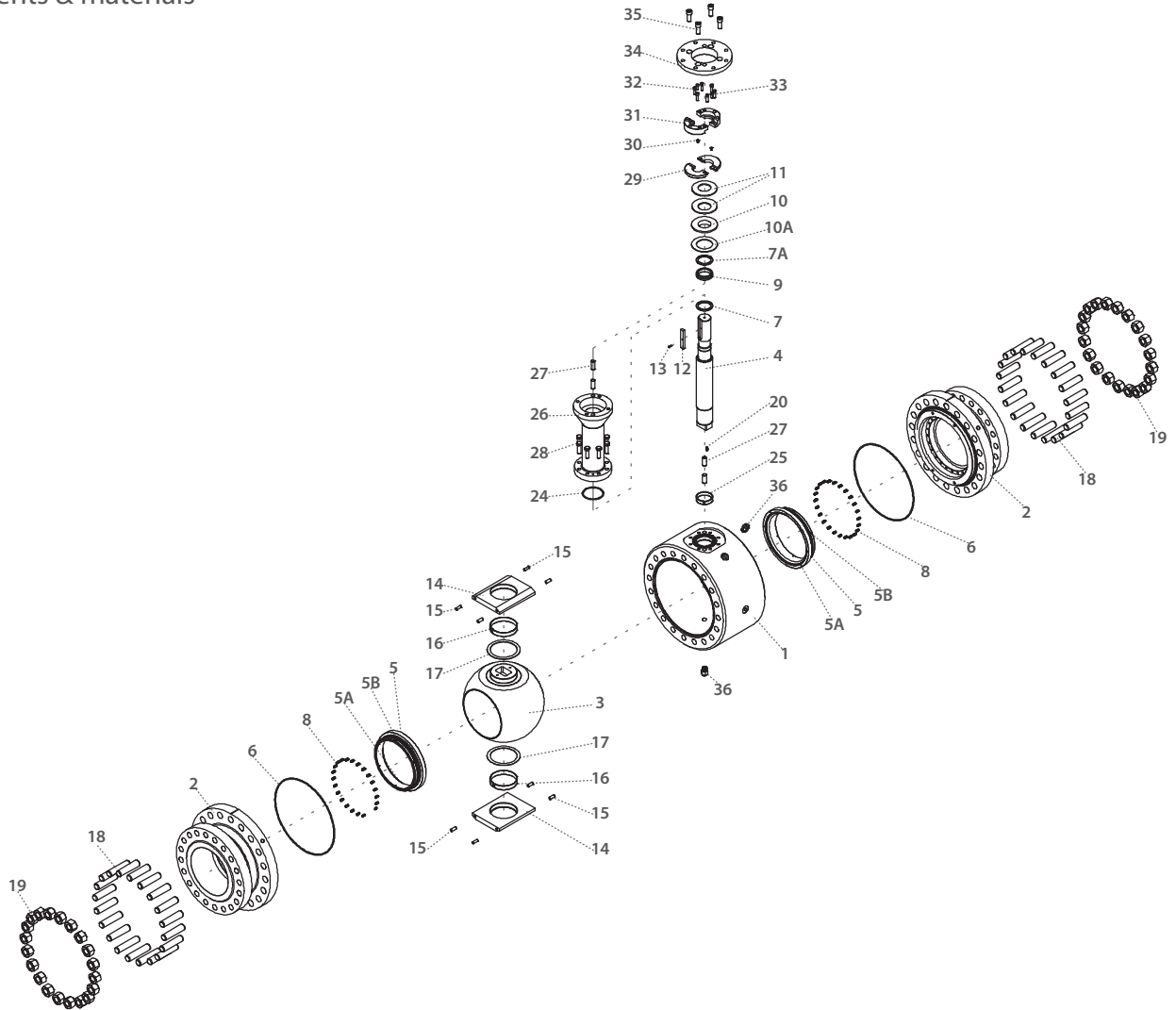
Item	Description	Material Spec. ASTM	Qty.
1	Body	Acc. Ordering Code	1
2	End	Acc. Ordering Code	2
3	Ball	Acc. Ordering Code	1
4	Stem	Acc. Ordering Code	1
5*	Seat	Acc. Ordering Code	2
5A*	Seat insert	Acc. Ordering Code	2
5B*	Seat seal	PTFE+Elgiloy, Graphite	2
6*	Body seal	Graphite	2
7*	Stem thrust seal	PCTFE	1
7A*	Anti-abrasion ring	PCTFE	1
8	Seat spring	Inconel 750	20-32
9*	Stem seal	HermetiX TFM	1
10	Follower	S. Steel	1
10A*	Slide bearing	S. Steel	1
12	Stem nut	S. Steel	1
13	Tab lock washer	S. Steel	1
16	Ball Bearing	PMT 316	2
17	Ball Thrust Washer	PMT 316	2
18	Body Stud	ASTM A320-B8M	8-40
19	Body Nut	A194 8M	8-40
20	Anti-static spring	S. Steel	1

Item	Description	Material Spec. ASTM	Qty.
21 ⁽¹⁾	Gland Plate	A479 316/ 316L	1
22 ^{(1)*}	Gland Plate Seal	Graphite	1
22A*	Outer trunnion seal	Graphite	1
23 ⁽¹⁾	Gland Plate Bolts	ASTM A320-B8M	6-8
24*	Bonnet seal	Graphite	1
25	Stem bearing	PMT 316	1
26	Bonnet	S. Steel	1
27	Bonnet Pins	S. Steel	2
27A ⁽¹⁾	Gland Pins	S. Steel	2
28	Bonnet Bolts	ASTM A320-B8M	4-8
36	Plug drain/ vent valve	S. Steel	2
37	Tag (not shown)	S.Steel	1
38	Outer trunnion	A479 316	1
39	Outer trunnion bolts	ASTM A320-B8M	4-8
40	Pipe handle	S. Steel	1
40A	Stop plate	S. Steel	1
40B	Wrench head	S. Steel	1
41	Wrench head bolt	S. Steel	1
42	Stop bolt	S. Steel	2
42A	Spring washer	S. Steel	2
43	Sleeve	PCV	1



Cryogenic Trunnion Mounted Ball 3 Piece

Components & materials



Item	Description	Material Spec. ASTM	Qty.
1	Body	Acc. Ordering Code	1
2	End	Acc. Ordering Code	2
3	Ball	Acc. Ordering Code	1
4	Stem	Acc. Ordering Code	1
5*	Seat	Acc. Ordering Code	2
5A*	Seat insert	Acc. Ordering Code	2
5B*	Seat seal	PTFE+Elgiloy, Graphite	2
6*	Body seal	Graphite	2
7*	Stem thrust seal	PCTFE	1
7A*	Anti-abrasion ring	PCTFE	1
8	Seat spring	Inconel 750	20-44
9*	Stem seal	HermetiX TFM	1
10	Follower	S. Steel	1
10A*	Slide bearing	S. Steel	1
11	Disc spring	S. Steel	2
12	Stem key	S. Steel	1
13	Stem key bolt	S. Steel	1
14	Trunnion plate	A479 316	2
15	Trunnion plate Pin	S. Steel	8

Item	Description	Material Spec. ASTM	Qty.
16	Ball Bearing	PMT 316	2
17	Ball Thrust Washer	PMT 316	2
18	Body Stud	ASTM A320-B8M	16-40
19	Body Nut	A194 8M	16-40
20	Anti-static spring	S. Steel	1
24*	Bonnet seal	Graphite	1
25	Stem bearing	PMT 316	1
26	Bonnet	S. Steel	1
27	Bonnet Pins	S. Steel	4-6
28	Bonnet Bolts	ASTM A320-B8M	4-8
29	Bot Follower	A479 316	2
30	Bot Follower bolt	ASTM A320-B8M	2
31	Top Follower	A479 316	2
32	Top Follower drive bolt	ASTM A320-B8M	6-8
33	Top Follower bolt	ASTM A320-B8M	2
34	Iso Plate	A479 316	1
35	Iso Plate bolt	ASTM A320-B8M	4-8
36	Plug drain/ vent valve	S. Steel	2
37	Tag (not shown)	S.Steel	2