

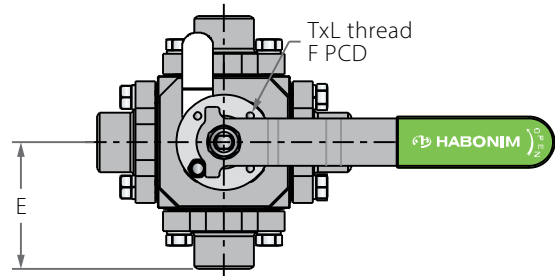
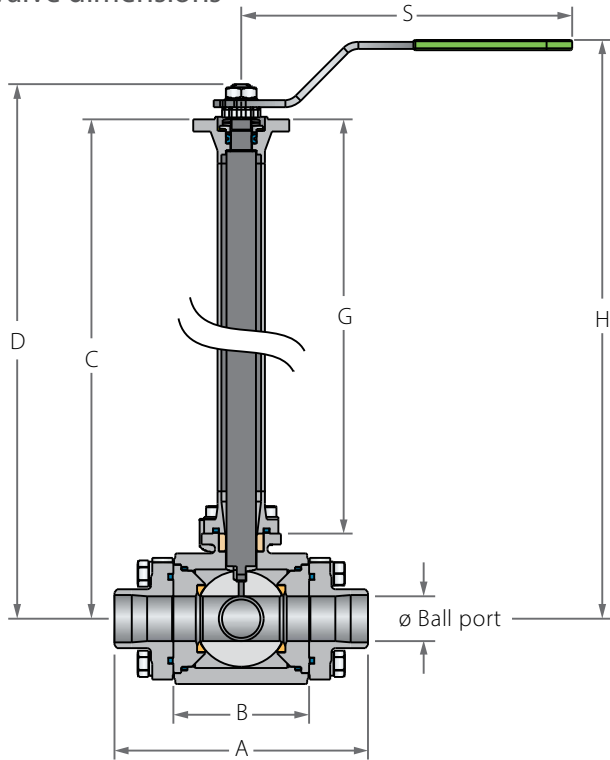
C61

C62

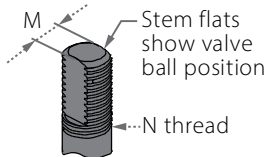
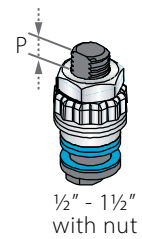
1/2"-1 1/2" | DN15-DN40 | CLASS 600

Cryogenic Multiport Floating Ball

Valve dimensions



Preparation for actuation



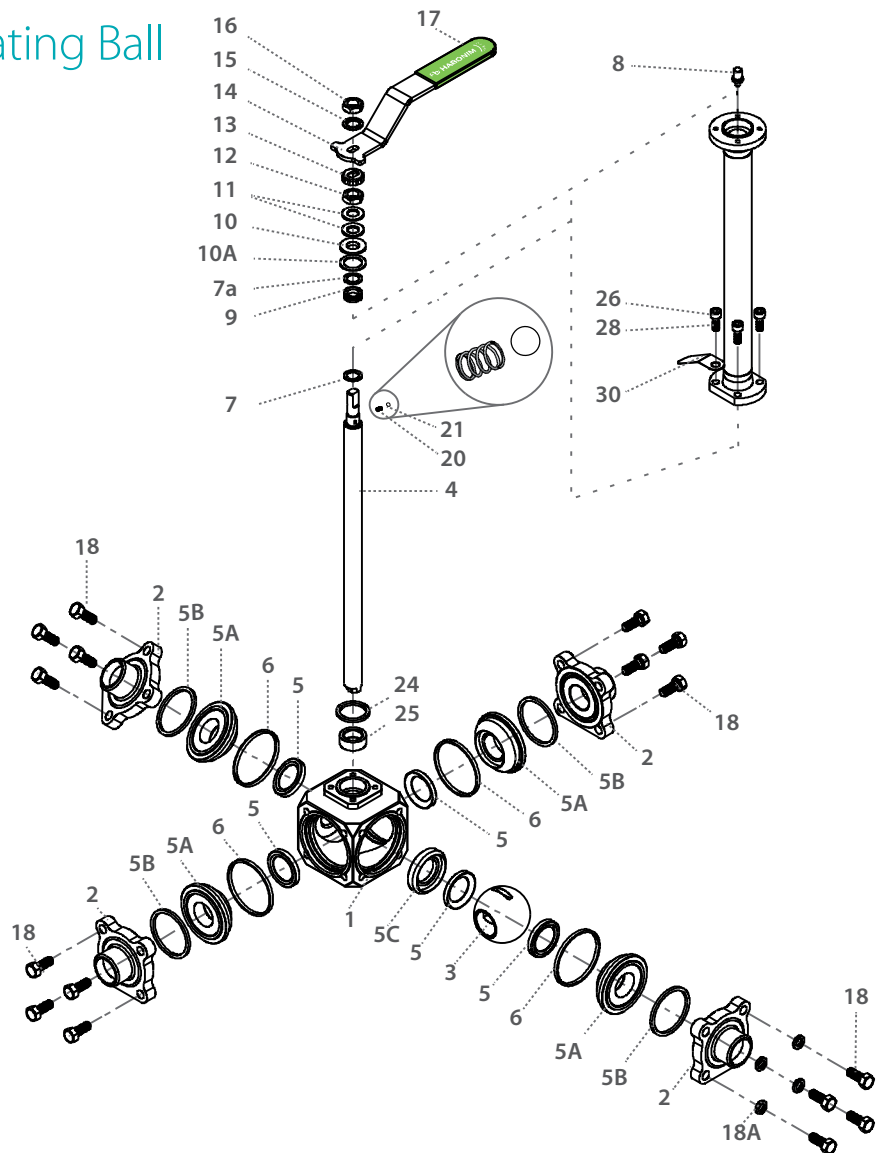
Valve Face To Face sizes are according to Habonim catalog data only, for Extended-weald/Flanged/Tri-clamp end see Face To Face sizes page.

Std. port	Full port	Unit	Ball port	A	B	Standard design					6.0" bonnet				E	S	M	N	P	F	TxL	Weight kg/lb		
						C	D	E	G	H	C	D	G	H								Std.	6.0 Bonnet	
DN20	DN15	mm	14.3	108	62	341	358.5	304	384.9	189.4	206.9	152.4	233.3	224.52	54.3	187	7.5	7/16"	7.2	(F04)	42	M5X7	3.65	3.33
3/4"	1/2"	inch	0.56	4.25	2.44	13.43	14.11	11.97	15.15	7.46	8.15	6	9.19	8.84	2.14	7.36	0.3	UNF	0.28		1.65	M5X7	8.04	7.34
DN25	DN20	mm	20.7	134.6	71.6	347	364.5	304	389.8	195.4	212.9	152.4	238.2	239.43	66.8	187	7.5	7/16"	7.2	(F04)	42	M5X7	5.25	4.9
1"	3/4"	inch	0.81	5.30	2.82	13.66	14.35	11.97	15.35	7.69	8.38	6	9.38	9.43	2.63	7.36	0.3	UNF	0.28		1.65	M5X7	11.57	10.8
DN32	DN25	mm	25.5	143	76	352	369.5	304	396.9	200.4	217.9	152.4	245.3	244.43	71.8	187	7.5	7/16"	8.5	(F04)	42	M5X7	7.42	6.85
1 1/4"	1"	inch	1	5.63	2.99	13.86	14.55	11.97	15.63	7.89	8.58	6	9.66	9.62	2.83	7.36	0.3	UNF	0.33		1.65	M5X7	16.35	15.1
DN40	DN32	mm	31.65	158	91	353.4	382.9	304	408.1	201.8	231.3	152.4	256.5	257.13	79	237	8.71	9/16"	8.5	(F05)	50	M6X8	9.12	8.55
1 1/2"	1 1/4"	inch	1.25	6.22	3.58	13.91	15.07	11.97	16.07	7.94	9.11	6	10.1	10.12	3.11	9.33	0.34	UNF	0.33		1.97	M6X8	20.1	18.84



Cryogenic Multiport Floating Ball

Components & materials



Item	Description	Material specifications	Qty.
1	Body	Acc. Ordering Code	1
2	End	Acc. Ordering Code	3/4**
3	Ball	Acc. Ordering Code	1
4	Stem	Acc. Ordering Code	1
5*	Seat	Acc. Ordering Code	4/5**
5A	Seat housing	S. Steel	3/4**
5B*	Seat seal	PTFE, Graphite	3/4**
5C	Seat support	A479 316/316L, B574 N06022, Bronze RG5	1
6*	Body seal	PTFE, Graphite	3/4**
7*	Stem thrust seal	PCTFE	1
7a*	Anti-abrasion ring	PCTFE	1
8	Stop pin	S. Steel	1
9*	Stem seal	TFM	1
10	Follower	S. Steel	1
10A	Slide bearing	S. Steel	1
11	Disc spring	S. Steel	2
12	Stem nut	S. Steel	1

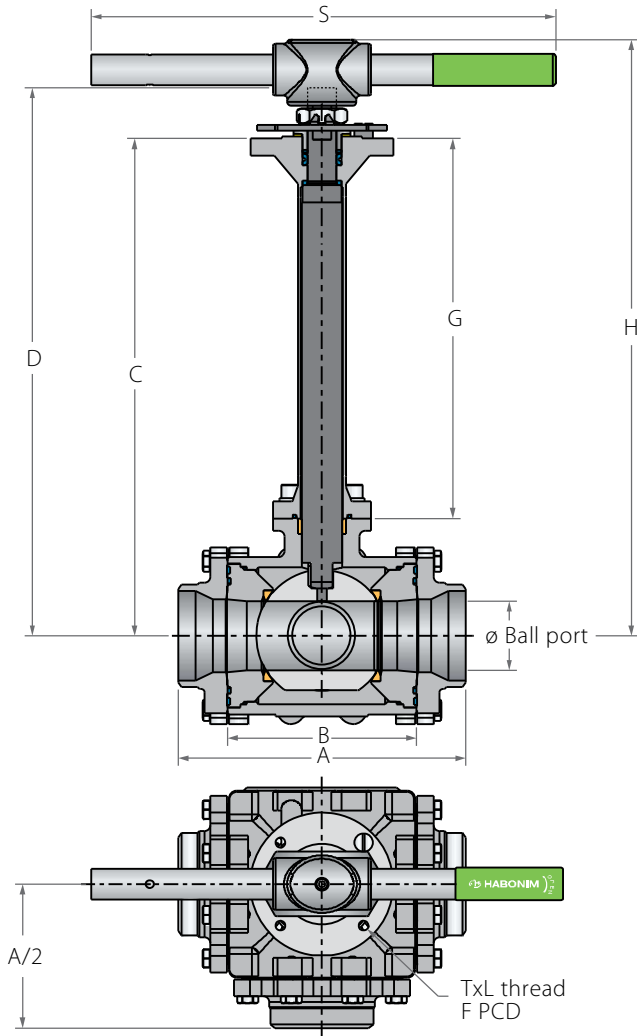
Item	Description	Material specifications	Qty.
13	Locking clip	S. Steel	1
14	Handle	S. Steel	1
15	Serrated washer	S. Steel	1
16	Handle nut	S. Steel	1
17	Sleeve	PVC	1
18	Body bolt	S. Steel	12/16**
20	Anti-static spring	S. Steel	1
21	Anti-static plunger	S. Steel	1
23	Tag (not shown)	S. Steel	1
24*	Bonnet seal	PTFE, Graphite	1
25*	Stem bearing	PTFE	1
26	Bonnet	S. Steel	1
28	Bolt	S. Steel	4
30	Dog tag	S. Steel	1

* Repair kit components

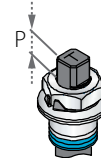
** 61 is Multiport with three horizontal ports, 62 is Multiport with four horizontal ports

Cryogenic Floating Ball Multiport

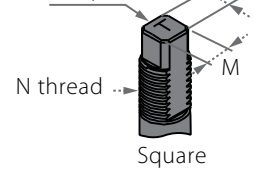
Valve dimensions



Preparation for actuation



Stem groove shows valve ball position



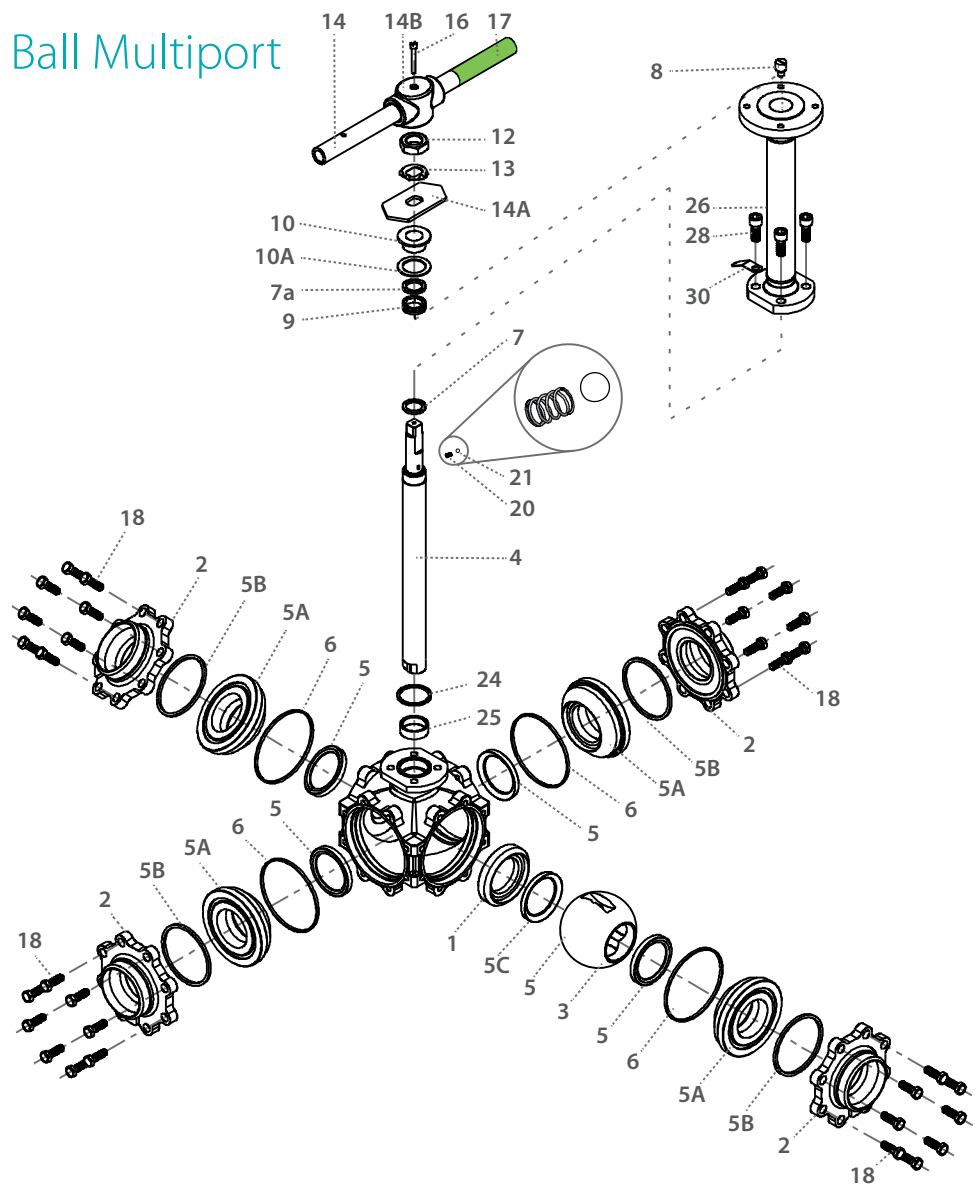
Valve Face To Face sizes are according to Habonim catalog data only, for Extended-weald/Flanged/Tri-clamp end see Face To Face sizes page.

Std. port	Full port	Unit	Ball port	A	B	Standard design					6.0" bonnet				S	M	MDD	N	P	F	TxL	Weight kg/lb		
						C	D	E	G	H	C	D	G	H								Std.	6.0 Bonnet	
DN50	DN40	mm	38.1	178.8	107.2	397.1	438.7	327.5	465.9	222	263.6	152.4	290.8	224.52	400	13.9	13.9	M20X2.5	14.36	(F07)	70	M8X8	24.7	23.25
2"	1½"	inch	1.5	7.04	4.22	15.63	17.27	12.89	18.34	8.74	10.38	6	11.45	8.84	15.75	0.55	0.55		0.57		2.76		54.44	51.24
DN65	DN50	mm	48	210	125	406.6	453.1	327.5	480.3	231.5	278	152.4	305.2	239.43	400	18.9	15.9	1"-14	16.7	(F10)	102	M10X15	24.7	23.25
2½"	2"	inch	1.89	8.27	4.92	16.01	17.84	12.89	18.91	9.11	10.94	6	12.02	9.43	15.75	0.74	0.63	UNS-2A	0.66		4.02		54.44	51.24
DN80	DN65	mm	60	249.8	164	486.75	555.85	385	-	254.15	323.25	152.4	-	244.43	-	28.45	23.75	1-½"-12	26.2	(F12)	125	M12X15	42.4	41.2
3"	2½"	inch	2.36	9.83	6.46	19.16	21.88	15.16	-	10.01	12.73	6	-	9.62	-	1.12	0.94	UNF-2A	1.03		4.92		93.45	90.8
DN100	DN80	mm	76	309.8	205	519.5	588.6	385	-	286.9	356	152.4	-	257.13	-	28.45	23.75	1-½"-12	26.2	(F12)	125	M12X15	66.4	65.2
4"	3"	inch	2.99	12.2	8.07	20.45	23.17	15.16	-	11.3	14.02	6	-	10.12	-	1.12	0.94	UNF-2A	1.03		4.92		146.35	143.7



Cryogenic Floating Ball Multiport

Components & materials



Item	Description	Material specifications	Qty.
1	Body	Acc. Ordering Code	1
2	End	Acc. Ordering Code	3
3	Ball	Acc. Ordering Code	1
4	Stem	Acc. Ordering Code	1
5*	Seat	Acc. Ordering Code	4
5A	Seat housing	S. Steel	3
5B*	Seat seal	PTFE, Graphite	3
5C	Seat support	A479 316/316L, B574 N06022, Bronze RG5	1
6*	Body seal	PTFE, Graphite	3
7*	Stem thrust seal	PCTFE	1
7a*	Anti-abrasion ring	PCTFE	1
8	Stop pin	S. Steel	1
9*	Stem seal	TFM	1
10	Follower	S. Steel	1
10A	Slide bearing	S. Steel	1
11	Disc spring	S. Steel	2

Item	Description	Material specifications	Qty.
12	Stem nut	S. Steel	1
13	Tab lock washer	S. Steel	1
14**	Handle	S. Steel	1
14A	Stop plate	S. Steel	1
14B	Wrench head	S. Steel	1
16	Wrench bolt	S. Steel	1
17	Sleeve	PVC	1
18	Body bolt	S. Steel	12-24
18A	Spring washer	S. Steel	12-24
20	Anti-static spring	S. Steel	2
21	Anti-static plunger	S. Steel	2
23	Tag (not shown)	S. Steel	1
24*	Bonnet seal	PTFE, Graphite	1
25*	Stem bearing	PTFE	1
26	Bonnet	S. Steel	1
28	Bolt	S. Steel	4
30	Dog tag	S. Steel	1

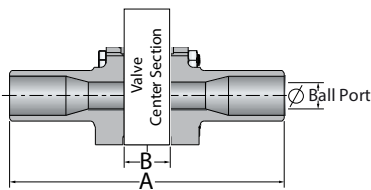
* Repair kit components

** Gear operator should be used for size 3" DN80 and above (handle components are not included)

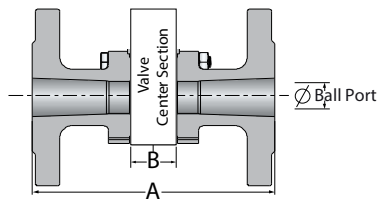
Face To Face Sizes

Valve Size	Unit	B		A-XBW		A-ETO	A-Flanged		A-TC
		Std. port	Full port	Std. port	Full port	Std. port	Std. port	Full port	Full port
DN10	mm	62.0	62.0	182.0	184.4	150.0			
3/8"	inch	2.4	2.4	7.2	7.3	5.9			
DN15	mm	62.0	62.0	182.0	184.4	178.4	181.4	189.4	130.2
1/2"	inch	2.4	2.4	7.2	7.3	7.0	7.1	7.5	5.1
DN20	mm	62.0	71.6	184.4	208.6	184.4	189.4	205.0	139.0
3/4"	inch	2.4	2.8	7.3	8.2	7.3	7.5	8.1	5.5
DN25	mm	71.6	76.0	208.6	214.0	204.0	205.0	212.8	154.2
1"	inch	2.8	3.0	8.2	8.4	8.0	8.1	8.4	6.1
DN32	mm	76.0	91.0	214.0	232.0	214.0	212.8	232.6	
1 1/4"	inch	3.0	3.6	8.4	9.1	8.4	8.4	9.2	
DN40	mm	91.0	107.2	232.0	251.2	226.6	232.6	267.0	182.4
1 1/2"	inch	3.6	4.2	9.1	9.9	8.9	9.2	10.5	7.2
DN50	mm	107.2	125.0	251.2	285.0	244.4	267.0	293.4	209.8
2"	inch	4.2	4.9	9.9	11.2	9.6	10.5	11.6	8.3
DN65	mm	125.0	164.0	285.0	364.0	275.0	293.4	362.6	265.4
2 1/2"	inch	4.9	6.5	11.2	14.3	10.8	11.6	14.3	10.4
DN80	mm	164.0	205.0	364.0	445.0	331.0	362.6	378.2	296.4
3"	inch	6.5	8.1	14.3	17.5	13.0	14.3	14.9	11.7
DN100	mm	205.0		445.0	267.0	445.0	401.2	182.0	341.6
4"	inch	8.1		17.5	10.5	17.5	15.8	7.2	13.4
DN200	mm			298.0	0.0	298.0	257.0	223.0	0.0
6"	inch			11.7	0.0	11.7	10.1	8.8	0.0

XBW / ETO



Flanged



TC

