

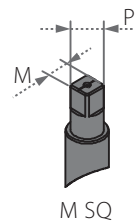
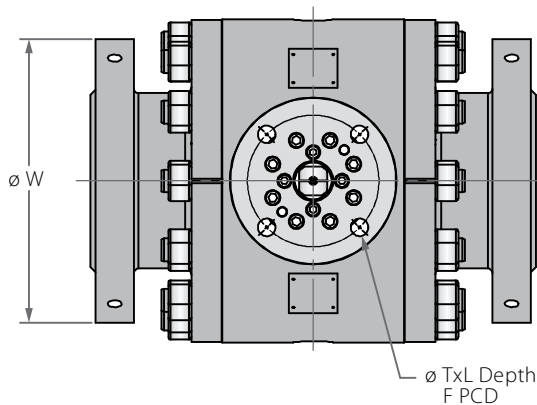
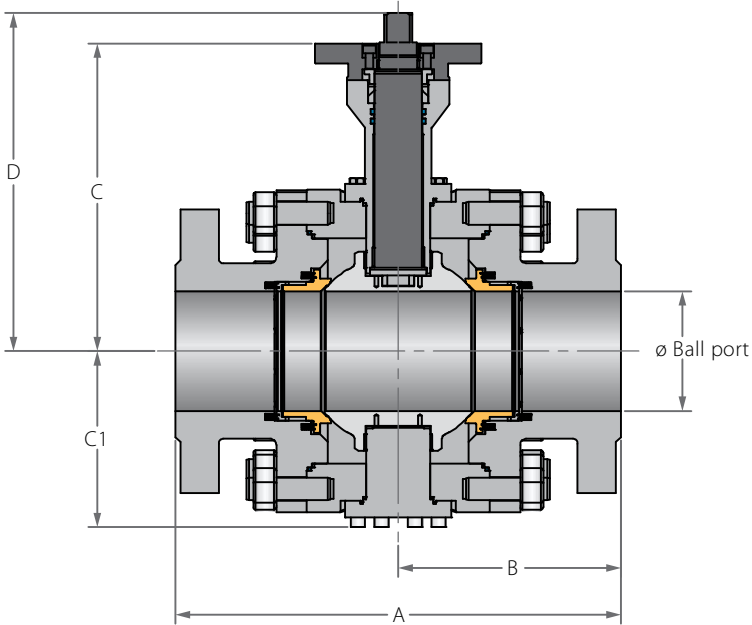
Z95T

Z96T

2"-6" | DN50-DN150 | CLASS 1500/2500

## High Temperature Trunnion Ball 3 Piece Up to 538°C (1000°F)

### Valve dimensions

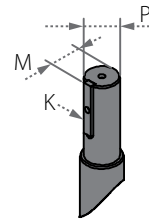
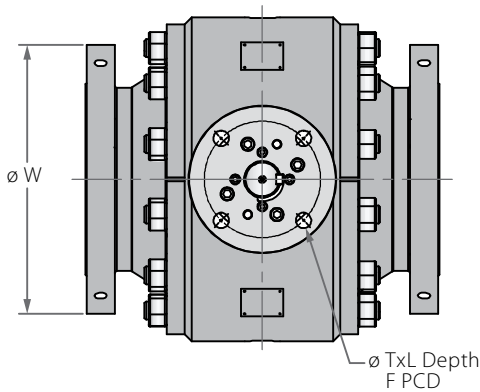
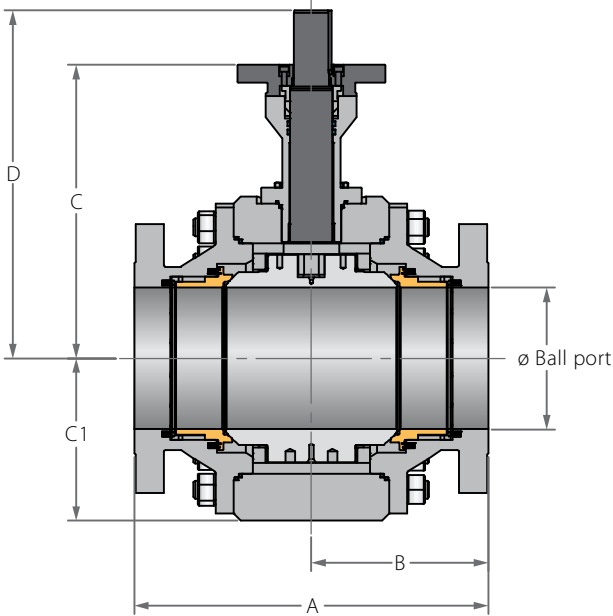


Full port	Unit	Ball port		A		B		C	C1	D	W		M SQ	P SQ	F	TxL	Weight kg/ib		Kv/Cv		
		1500	2500	1500	2500	1500	2500				1500	2500					1500	2500	1500	2500	
DN50	mm	49.00	42.00	368.00	451.00	184.00	225.50	325.00	127.00	330.00	215.00	235.00	22.00	32.00	(F14)	140.00	18x12	90	179	281	260
2"	inch	1.93	1.65	14.49	17.76	7.24	8.88	12.80	5.00	12.99	8.46	9.25	0.87	1.26		5.51	(4 holes)	198	395	325	300
DN80	mm	74.00	62.00	470.00	578.00	235.00	289.00	379.00	201.50	408.00	265.00	305.00	27.00	35.00	(F14)	140.00	18x22	175	340	735	649
3"	inch	2.91	2.44	18.50	22.76	9.25	11.38	14.92	7.93	16.06	10.43	12.01	1.06	1.38		5.51	(4 holes)	386	750	850	750
DN100	mm	100.00	87.00	546.00	673.00	273.00	336.50	408.00	198.50	446.00	310.00	355.00	36.00	46.20	(F16)	165.00	22x25	330	646	1384	1228
4"	inch	3.94	3.43	21.50	26.50	10.75	13.25	16.06	7.81	17.56	12.20	13.98	1.42	1.82		6.50	(4 holes)	728	1424	1600	1420
DN150	mm	144.00	131.00	705.00	914.00	352.50	457.00	538.00	272.00	586.00	395.00	485.00	46.00	59.00	(F25)	254.00	22x30	627	1227	3590	2206
6"	inch	5.67	5.16	27.76	35.98	13.88	17.99	21.18	10.71	23.07	15.55	19.09	1.81	2.32		10.00	(8 holes)	1382	2705	4150	2550



## High Temperature Trunnion Ball 3 Piece Up to 538°C (1000°F)

### Valve dimensions



Full port	Unit	Ball port		A		B		C	C1	D	W		P	M	K	F	TxL	Weight kg/ib		Kv/Cv		
		1500	2500	1500	2500	1500	2500				1500	2500						1500	2500	1500	2500	
DN200	mm	192.00	179.00	832.00	1022.00	416.00	511.00	498.00	273.00	628.00	485.00	550.00	98.00	104.40	28.00	(F30)	298.00	22x30	1000	2330	6963	4758
8"	inch	7.56	7.05	32.76	40.24	16.38	20.12	19.61	10.75	24.72	19.09	21.65	3.86	4.11	1.10		11.73	(8 holes)	2205	5137	8050	5500
DN250	mm	239.00	223.00	991.00	1270.00	495.50	635.00	609.00	374.00	740.00	585.00	675.00	98.00	104.40	28.00	(F35)	356.00	32x45	1900	3623	11418	7389
10"	inch	9.41	8.78	39.02	50.00	19.51	25.00	23.98	14.72	29.13	23.03	26.57	3.86	4.11	1.10		14.02	(8 holes)	4189	7987	13200	8542
DN300	mm	287.00	265.00	1130.00	1422.00	565.00	711.00	558.00	512.00	688.00	675.00	760.00	120.00	127.40	32.00	(F40)	406.00	38x55	2705	4875	16868	10508
12"	inch	11.30	10.43	44.49	55.98	22.24	27.99	21.97	20.16	27.09	26.57	29.92	4.72	5.02	1.26		15.98	(8 holes)	5963	10747	19500	12148

Z91T

Z92T

Z93T

Z94T

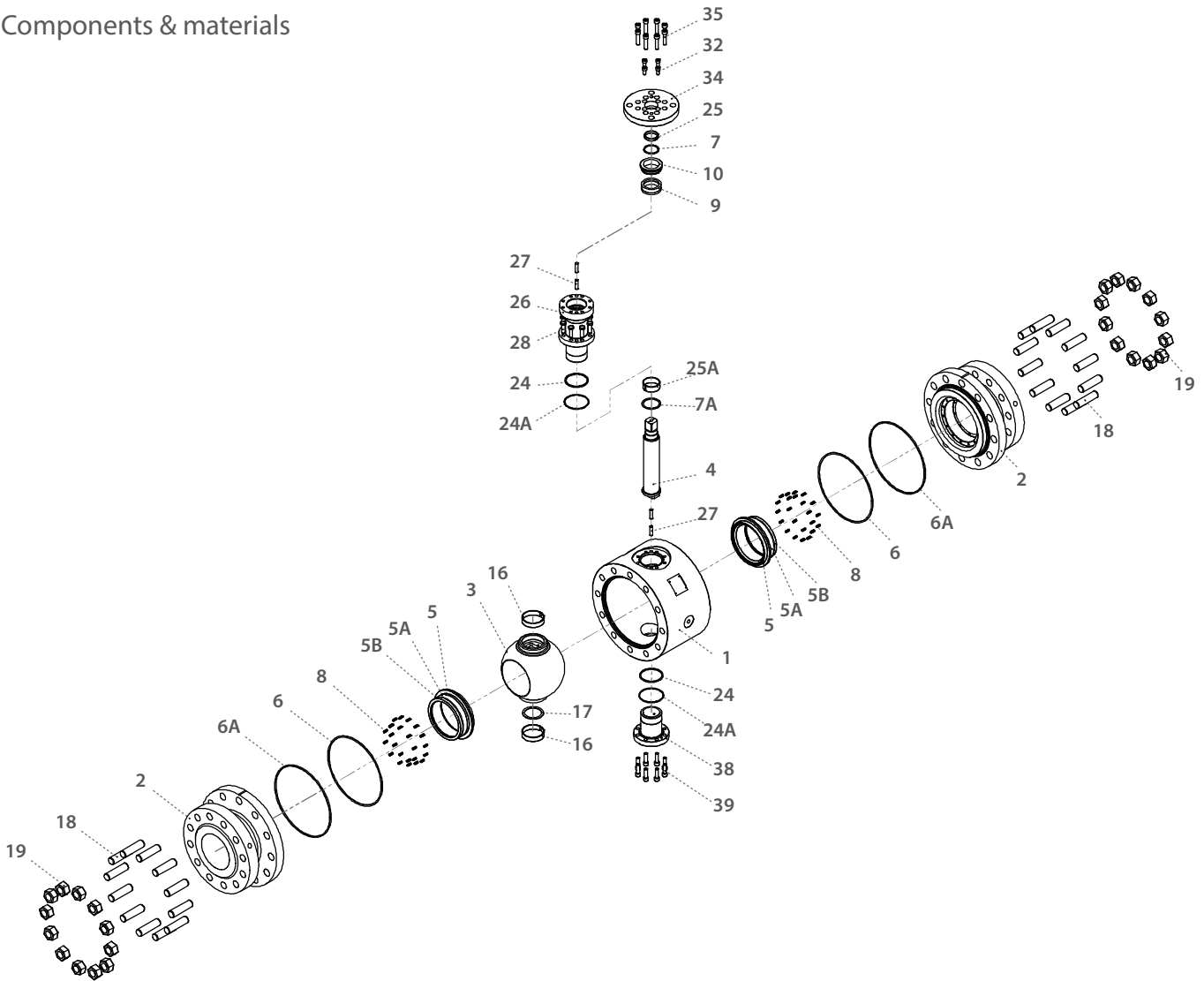
Z95T

Z96T

2"-6"

## High Temperature Trunnion Ball 3 Piece Up to 538°C (1000°F)

### Components & materials



Item	Description	Material Spec. ASTM	Qty.
1	Body	Acc. Ordering Code	1
2	End	Acc. Ordering Code	2
3	Ball	Acc. Ordering Code	1
4	Stem	Acc. Ordering Code	1
5*	Seat	Acc. Ordering Code	2
5A*	Seat seal	Graphite	2
5B*	Seat ring	Acc. Ordering Code	2
6*	Body inner seal	Graphite	2
6A*	Body outer seal	Graphite	2
7	Upper thrust seal	S.steel 316 / Inconel 625	1
7A	Lower thrust seal	S.steel 316 / Inconel 625	1
8	Seat Spring	Inconel X750	16-48
9*	Stem seal	Graphite	1
10	Follower	S.steel	1
16	Ball bearing	S.steel 316 / Inconel 625	2
17	Ball thrust seal	S.steel 316 / Inconel 625	1

Item	Description	Material Spec. ASTM	Qty.
18	Body stud	A193-B8M / A320 L7	8-24
19	Body nuts	A194 8M / A194 L7	8-24
24*	Bonnet inner seal	Graphite	2
24A*	Bonnet outer seal	Graphite	2
25	Upper stem bearing	S.steel 316 / Inconel 625	1
25A	Lower stem bearing	S.steel 316 / Inconel 625	1
26	Bonnet	S. steel / C. steel	1
27	Bonnet pin	S. steel / C. steel	4
28	Bonnet bolts	A193-B8M / A320 L7	4-8
32	Followler drive bolts	A193-B8M / A320 L7	4-8
34	Iso plate	S. steel / C. steel	1
35	Iso plate bolts	A193-B8M / A320 L7	4-8
38	External trunnion	S. steel / C. steel	1
39	External trunnion bolts	A193-B8M / A320 L7	4-8

\* Repair kit components

Z91T

Z92T

Z93T

Z94T

Z95T

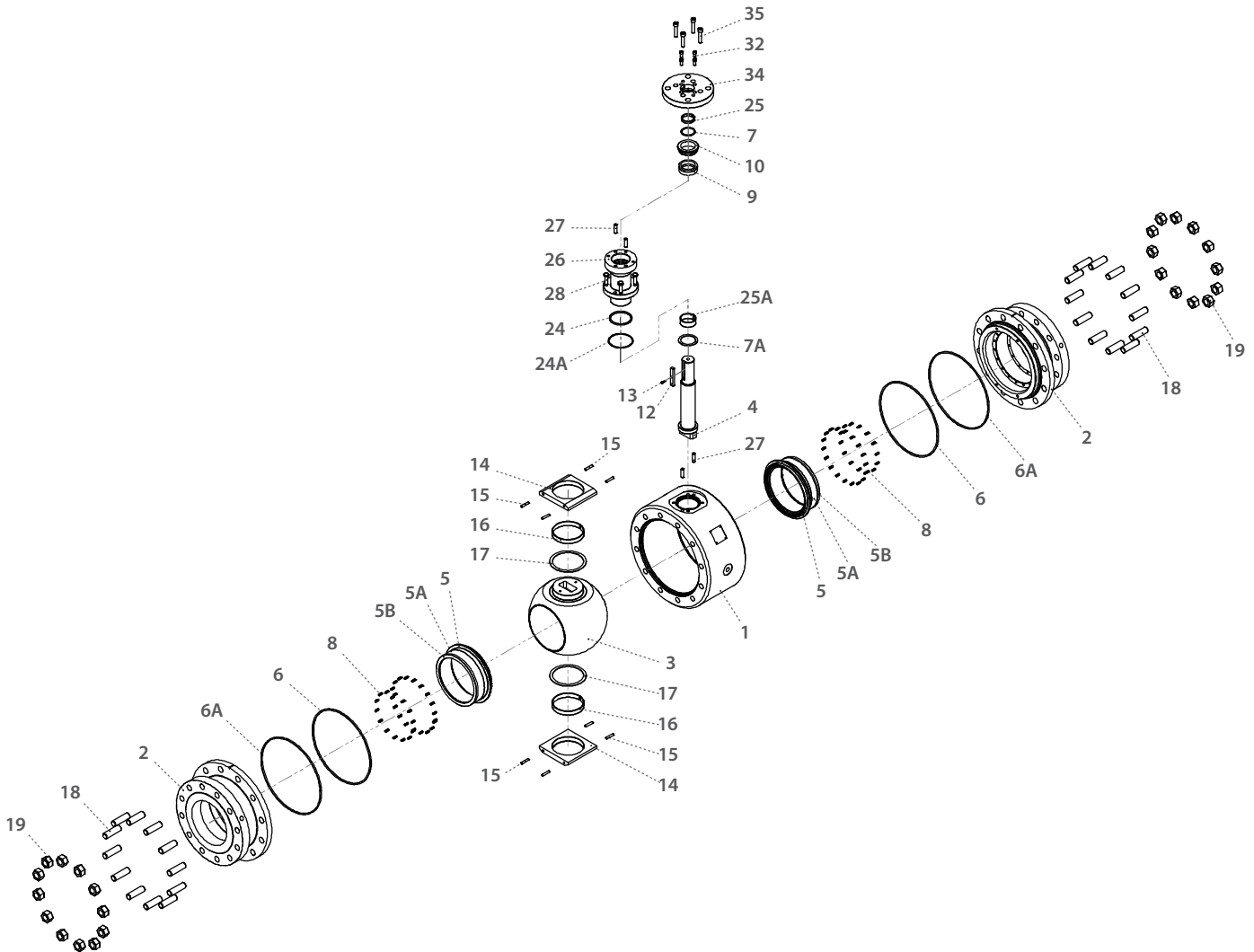
Z96T

8"-12"



## High Temperature Trunnion Ball 3 Piece Up to 538°C (1000°F)

### Components & materials



Item	Description	Material Spec. ASTM	Qty.
1	Body	Acc. Ordering code	1
2	End	Acc. Ordering code	2
3	Ball	Acc. Ordering code	1
4	Stem	Acc. Ordering code	1
5*	Seat	Acc. Ordering code	2
5A*	Seat seal	Graphite	2
5B*	Seat ring	Acc. Ordering code	2
6*	Body inner seal	Graphite	2
6A*	Body outer seal	Graphite	2
7	Upper thrust seal	S.steel 316 / Inconel 625	1
7A	Lower thrust seal	S.steel 316 / Inconel 625	1
8	Seat Spring	Inconel X750	68-76
9*	Stem seal	Graphite	1
10	Follower	S.steel	1
12	Stem key	S.steel / C.steel	1
13	Stem key bolt	S.steel / C.steel	1
14	Trunnion plate	S.steel / C.steel	2

Item	Description	Material Spec. ASTM	Qty.
15	Trunnion plate pin	S.steel / C.steel	8
16	Ball bearing	S.steel 316 / Inconel 625	2
17	Ball thrust washer	S.steel 316 / Inconel 625	2
18	Body stud	A193-B8M / A320 L7	16-40
19	Body nuts	A194 8M / A194 L7	16-40
24*	Bonnet inner seal	Graphite	1
24A*	Bonnet outer seal	Graphite	1
25	Upper stem bearing	S.steel 316 / Inconel 625	1
25A	Lower stem bearing	S.steel 316 / Inconel 625	1
26	Bonnet	S.steel / C.steel	1
27	Bonnet pin	S.steel / C.steel	4
28	Bonnet bolts	ASTM A320-B8M	4-8
32	Follower drive bolts	ASTM A320-B8M	4-8
34	Iso plate	S.steel / C.steel	1
35	Iso plate bolts	A193-B8M / A320 L7	4-8

\* Repair kit components