

Z95W**Z96W****Z95P****Z96P**

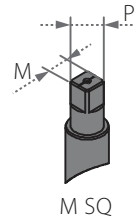
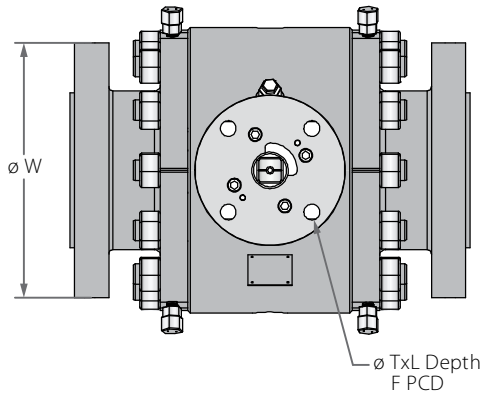
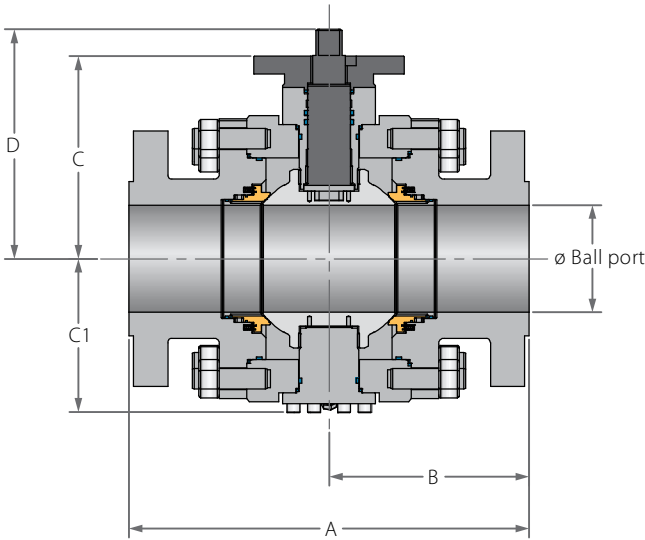
2"-6" | DN50-DN150

CLASS 1500/2500

High Temperature Trunnion Ball 3 Piece Up to

W 200°C (400°F) | **P** 327°C (620°F)

Valve dimensions



Full port	Unit	Ball port	A		B		C	C1	D	W		M SQ	P SQ	F	TxL	Weight kg/ib		Kv/Cv		
			1500	2500	1500	2500				1500	2500									
DN50	mm	49.00	368.00	451.00	184.00	225.50	204.50	159.00	339.00	215.00	235.00	22.00	32.00	(F14)	140.00	18X12	90	179	281	260
2"	inch	1.93	14.49	17.76	7.24	8.88	8.05	6.26	13.35	8.46	9.25	0.87	1.26		5.51	(4 holes)	198	395	325	300
DN80	mm	74.00	470.00	578.00	235.00	289.00	262.00	201.50	342.50	265.00	305.00	27.00	35.00	(F14)	140.00	18X22	175	340	735	649
3"	inch	2.91	18.50	22.76	9.25	11.38	10.31	7.93	13.48	10.43	12.01	1.06	1.38		5.51	(4 holes)	386	750	850	750
DN100	mm	100.00	546.00	673.00	273.00	336.50	225.00	198.50	299.50	310.00	355.00	36.00	46.20	(F16)	165.00	22X25	330	646	1384	1228
4"	inch	3.94	21.50	26.50	10.75	13.25	8.86	7.81	11.79	12.20	13.98	1.42	1.82		6.50	(4 holes)	728	1424	1600	1420
DN150	mm	150.00	705.00	914.00	352.50	457.00	310.00	272.00	425.00	395.00	485.00	46.00	59.00	(F25)	254.00	22X30	627	1227	3590	2206
6"	inch	5.91	27.76	35.98	13.88	17.99	12.20	10.71	16.73	15.55	19.09	1.81	2.32		10.00	(8 holes)	1382	2705	4150	2550

Z95W**Z96W****Z95P****Z96P**

8"-12" | DN200-DN300

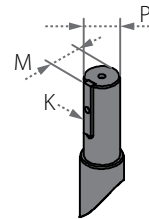
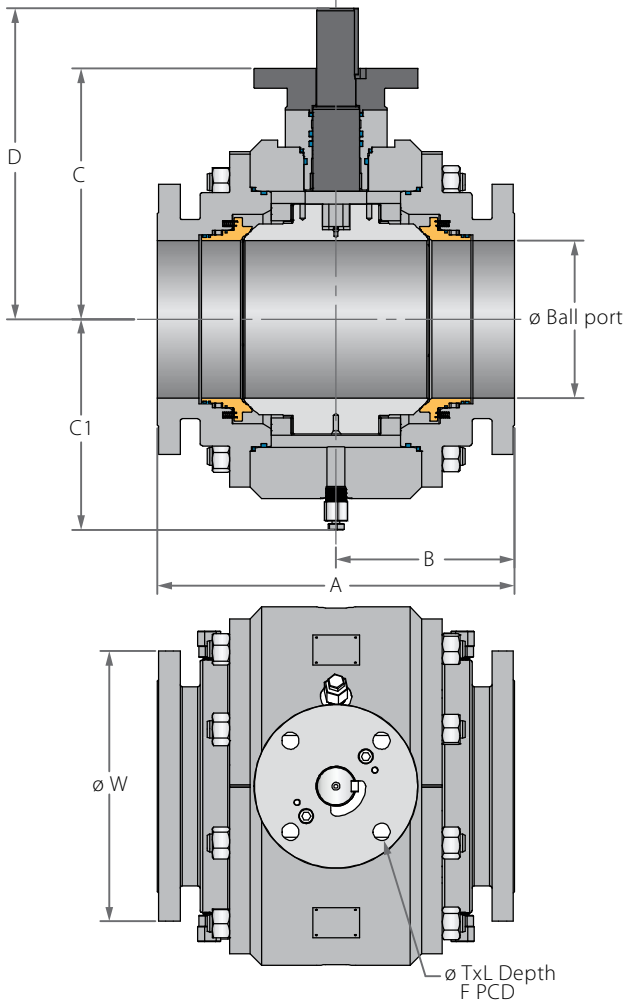
CLASS 1500/2500



High Temperature Trunnion Ball 3 Piece Up to

W 200°C (400°F) | **P** 327°C (620°F)

Valve dimensions



Full port	Unit	Ball port	A		B		C	C1	D	W		P	M	K	F	TxL	Weight kg/ib		Kv/Cv		
			1500	2500	1500	2500				1500	2500						1500	2500	1500	2500	
DN200	mm	201.00	832.00	1022.00	416.00	511.00	425.00	273.00	540.00	485.00	550.00	72.00	76.50	20.00	(F25)	254.00	18x25	1000	2330	6963	4758
8"	inch	7.91	32.76	40.24	16.38	20.12	16.73	10.75	21.26	19.09	21.65	2.83	3.01	0.79		10.00	(8 holes)	2205	5137	8050	5500
DN250	mm	252.00	991.00	1270.00	495.50	635.00	582.00	374.00	712.00	585.00	675.00	80.00	87.00	22.00	(F30)	298.00	22x30	1900	4427	11418	7526
10"	inch	9.92	39.02	50.00	19.51	25.00	22.91	14.72	28.03	23.03	26.57	3.15	3.43	0.87		11.73	(8 holes)	4189	9760	13200	8700
DN300	mm	303.00	1130.00	1422.00	565.00	711.00	797.00	512.00	927.00	675.00	760.00	80.00	87.00	22.00	(F30)	298.00	22x30	3610	8000	16868	10726
12"	inch	11.93	44.49	55.98	22.24	27.99	31.38	20.16	36.50	26.57	29.92	3.15	3.43	0.87		11.73	(8 holes)	7959	17637	19500	12400

Z91W

Z92W

Z93W

Z94W

Z95W

Z96W

Z91P

Z92P

Z93P

Z94P

Z95P

Z96P

2"-6"

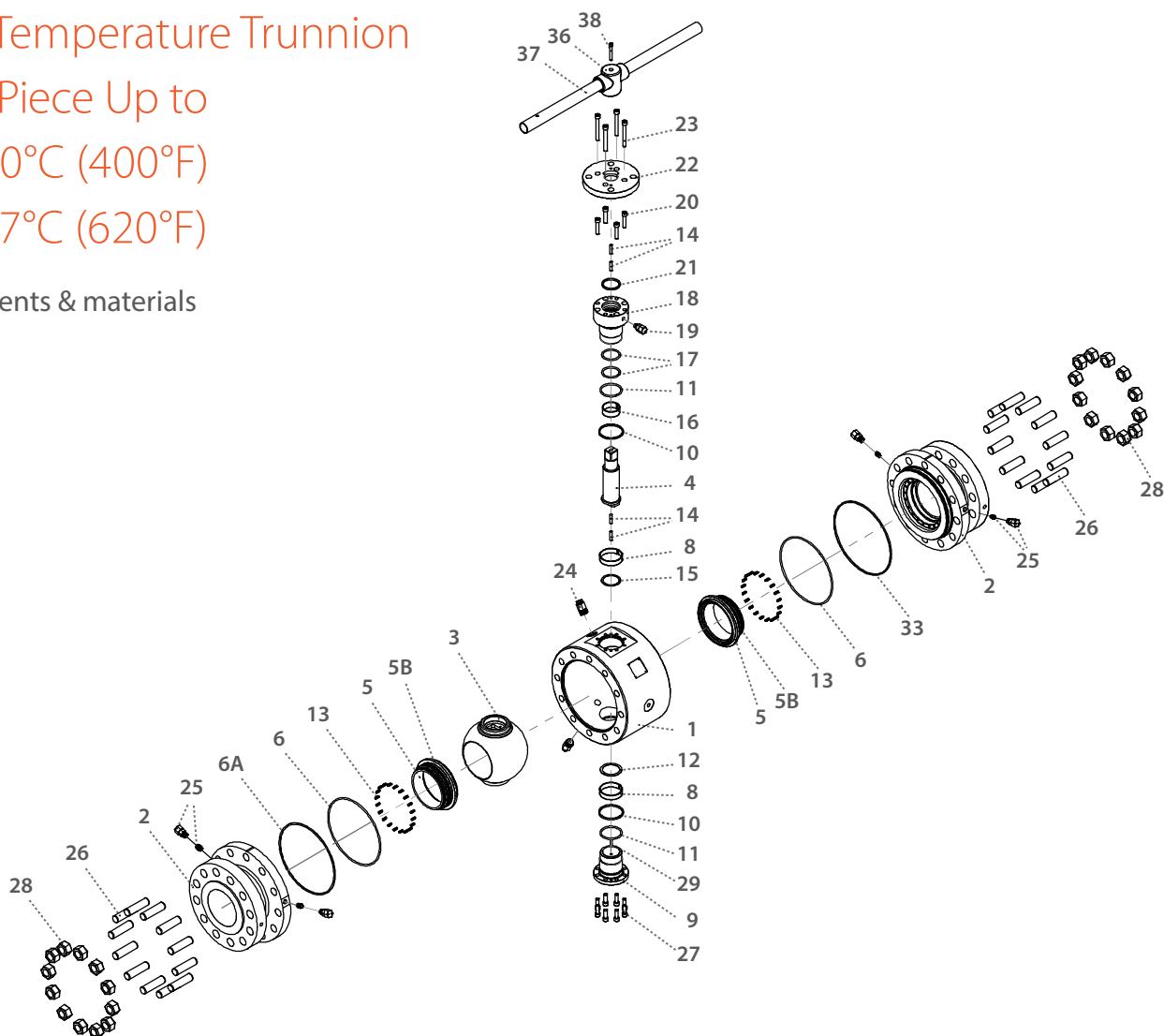
High Temperature Trunnion

Ball 3 Piece Up to

W 200°C (400°F)

P 327°C (620°F)

Components & materials



Item	Description	Material Spec. ASTM	Qty.
1	Body	Acc. Ordering code	1
2	Ends	Acc. Ordering code	2
3	Ball	Acc. Ordering code	1
4	Stem	Acc. Ordering code	1
5*	Seat	Acc. Ordering code	2
5B*	Seat seal	Viton / HNBR	2-4
6*	Body inner seal	Viton / HNBR	2
6A*	Body outer seal	Graphite	2
8*	Ball Bearing	S.steel 316 + PTFE	2
9	External Trunnion	S.steel / C.steel	1
10*	Gland Plate & External trunnion Fire Safe Seal	Graphite	2
11*	Gland Plate & External trunnion Seal	Viton / HNBR	2
12*	Lower thrust washer	S.steel 316 + PTFE	1
13	Seat Spring	Inconel X750	28-40
14	Gland pin	S.steel / C.steel	4
15*	Stem Thrust Washer	S.steel 316 + PTFE	1
16*	Gland plate bearing	S.steel 316 + PTFE	1

Item	Description	Material Spec. ASTM	Qty.
17*	Stem seal	Viton / HNBR	2
18	Gland Plate	S.steel / C.steel	1
19	Stem grease fitting	S.steel	1
20	Lower gland bolts	A193-B8M / A320 L7	4
21*	Stem fire safe seal	Graphite	1
22	Iso plate	S.steel / C.steel	1
23	Upper gland bolts	A193-B8M / A320 L7	4
24	Plug valve	S.steel	2
25**	Seat grease fitting + check valve	S.steel	4
26	Body studs	A193-B8M / A320 L7	16-24
27	External trunnion bolts	A193-B8M / A320 L7	4
28	Body nuts	A194-8M / A194 L7	16-24
29	Antistatic spring	Inconel X750	1
30	Wrench head	S.steel / C.steel	1
31	Wrench bolt	S.steel / C.steel	1
32	Pipe handle	S.steel / C.steel Zink plate	1

* Repair kit components

** Available from 6" size only

Z91W

Z92W

Z93W

Z94W

Z95W

Z96W



Z91P

Z92P

Z93P

Z94P

Z95P

Z96P

2"-6"

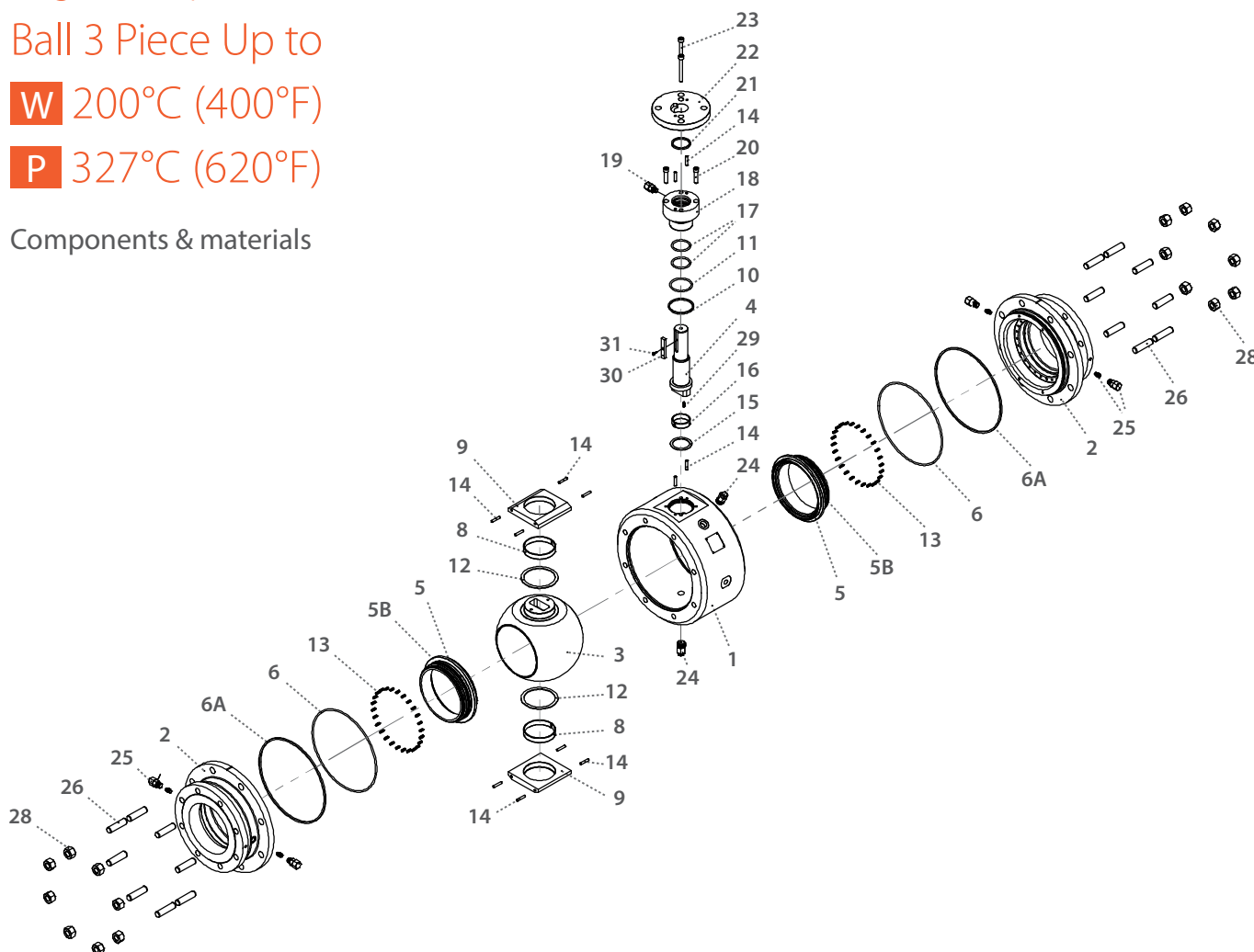
High Temperature Trunnion

Ball 3 Piece Up to

W 200°C (400°F)

P 327°C (620°F)

Components & materials



Item	Description	Material Spec. ASTM	Qty.
1	Body	Acc. Ordering code	1
2	Ends	Acc. Ordering code	2
3	Ball	Acc. Ordering code	1
4	Stem	Acc. Ordering code	1
5*	Seat	Acc. Ordering code	2
5B*	Seat seal	Viton, HNBR	2-4
6*	Body inner seal	Viton, HNBR	2
6A*	Body outer seal	Graphite	2
8*	Ball bearing	S.steel 316 + PTFE	2
9	Trunnion plate	S.steel / C.steel	2
10*	Gland plate & External Trunnion Fire Safe Seal	Graphite	1
11*	Gland Plate & External Trunnion Seal	Viton, HNBR	1
12*	Ball thrust washer	S.steel 316 + PTFE	2
13	Seat Spring	Inconel X750	52-60
14	Gland pin	S.steel / C.steel	12
15*	Stem Thrust Washer	S.steel 316 + PTFE	1
16*	Stem Bearing	S.steel 316 + PTFE	1

Item	Description	Material Spec. ASTM	Qty.
17*	Stem seal	Viton, HNBR	2
18	Gland Plate	S.steel / C.steel	1
19	Stem grease fitting	S.steel	1
20	Lower gland bolts	A193-B8M / A320 L7	2-6
21*	Stem fire safe seal	Graphite	1
22	Iso plate	S.steel / C.steel	1
23	Upper gland bolts	A193-B8M / A320 L7	2-6
24	Plug valve	S.steel	2
25**	Seat grease fitting + check valve	S.steel	4
26	Body studs	A193-B8M / A320 L7	16-32
28	Body nuts	A194-8M / A194 L7	16-32
29	Antistatic spring	Inconel X750	1
30	Stem key	S.steel / C.steel	1
31	Stem key bolt	S.steel / C.steel	1

* Repair kit components