

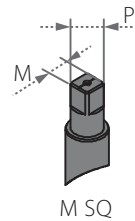
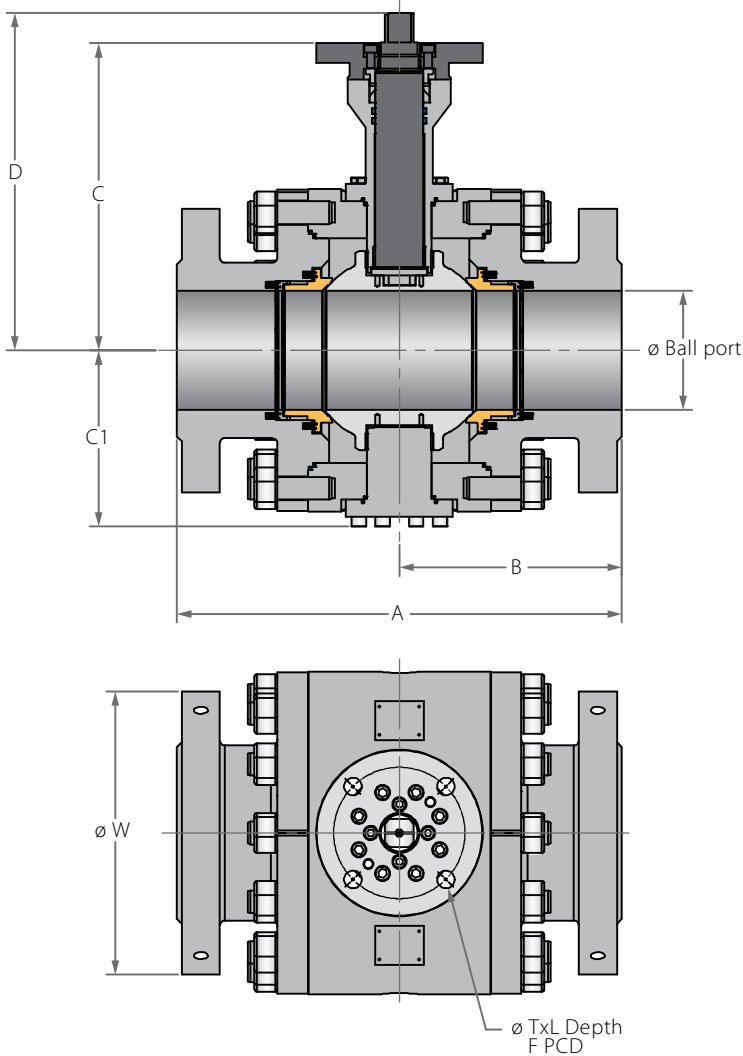
Z93T

Z94T

2"-6" | DN50-DN150 | CLASS 600/900

High Temperature Trunnion Ball 3 Piece Up to 538°C (1000°F)

Valve dimensions



Full port	Unit	Ball port	A		B		C		C1		D		W		M SQ	P SQ	F	TxL	Weight kg/ib		Kv/Cv		
			600	900	600	900	600	900	600	900	600	900	600	900					600	900	600	900	
DN50	mm	49.00	292.00	368.00	146.00	184.00	272.00	272.00	119.00	119.00	291.00	291.00	165.00	215.00	16.90	21.30	(F12)	125.00	M12X15	49	67	329	294
2"	inch	1.93	11.50	14.49	5.75	7.24	10.71	10.71	4.69	4.69	11.46	11.46	6.50	8.46	0.67	0.84		4.92	(4 holes)	108	148	380	340
DN80	mm	74.00	356.00	381.00	178.00	190.50	306.00	306.00	160.00	160.00	330.00	330.00	210.00	240.00	21.90	26.90	(F12)	125.00	M12X15	95	114	874	822
3"	inch	2.91	14.02	15.00	7.01	7.50	12.05	12.05	6.30	6.30	12.99	12.99	8.27	9.45	0.86	1.06		4.92	(4 holes)	209	251	1010	950
DN100	mm	100.00	432.00	457.00	216.00	228.50	334.00	334.00	184.00	184.00	364.00	364.00	275.00	290.00	26.90	34.90	(F16)	165.00	M22X25	165	186	1557	1471
4"	inch	3.94	17.01	17.99	8.50	9.00	13.15	13.15	7.24	7.24	14.33	14.33	10.83	11.42	1.06	1.37		6.50	(4 holes)	364	410	1800	1700
DN150	mm	150.00	559.00	610.00	279.50	305.00	386.00	404.00	220.00	220.00	424.00	442.00	355.00	380.00	35.90	46.20	(F16)	165.00	M22X25	340	418	3893	3823
6"	inch	5.91	22.01	24.02	11.00	12.01	15.20	15.91	8.66	8.66	16.69	17.40	13.98	14.96	1.41	1.82		6.50	(4 holes)	750	922	4500	4420

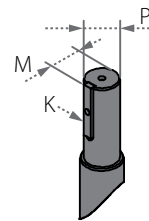
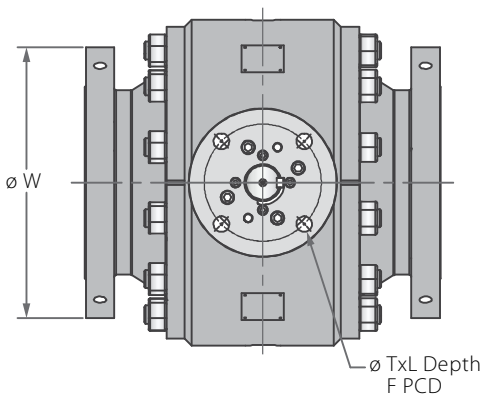
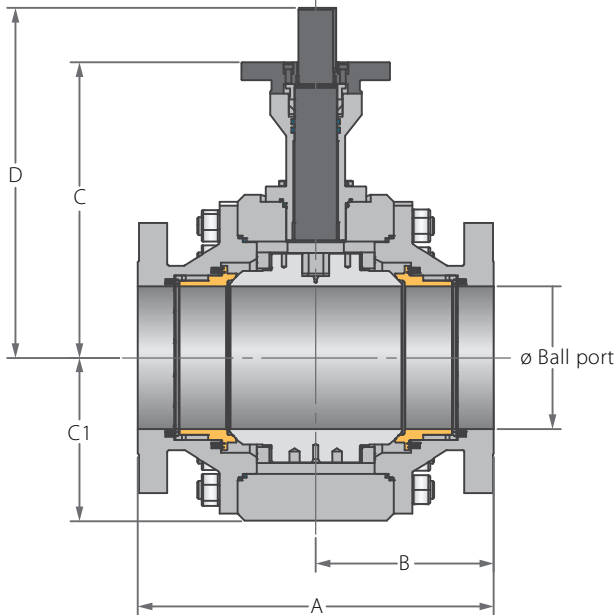
Z93T**Z94T**

8"-12" | DN50-DN150 | CLASS 600/900



High Temperature Trunnion Ball 3 Piece Up to 538°C (1000°F)

Valve dimensions



Full port	Unit	Ball port	A		B		C		C1		D		W		P	M	K	F	TxL	Weight kg/lb		Kv/Cv		
			600	900	600	900	600	900	600	900	600	900	600	900						600	900	600	900	
DN200 8"	mm	201.00	660.00	737.00	330.00	368.50	418.00	418.00	263.00	263.00	515.00	515.00	420.00	470.00	72.00	76.50	20.00	(F25)	254.00	18x25 (8 holes)	548	789	7742	7344
	inch	7.91	25.98	29.02	12.99	14.51	16.46	16.46	10.35	10.35	20.28	20.28	16.54	18.50	2.83	3.01	0.79		10.00		1208	1739	8950	8490
DN250 10"	mm	252.00	787.00	838.00	393.50	419.00	519.00	537.00	310.00	326.00	616.00	634.00	510.00	545.00	72.00	76.50	20.00	(F30)	298.00	22x30 (8 holes)	895	1274	12543	12110
	inch	9.92	30.98	32.99	15.49	16.50	20.43	21.14	12.20	12.83	24.25	24.96	20.08	21.46	2.83	3.01	0.79		11.73		1973	2809	14500	14000
DN300 12"	mm	303.00	838.00	965.00	419.00	482.50	598.00	605.00	344.00	361.00	695.00	702.00	560.00	610.00	72.00	76.50	20.00	(F30)	298.00	22x30 (8 holes)	1096	1546	19809	18598
	inch	11.93	32.99	37.99	16.50	19.00	23.54	23.82	13.54	14.21	27.36	27.64	22.05	24.02	2.83	3.01	0.79		11.73		2416	3408	22900	21500

Z91T

Z92T

Z93T

Z94T

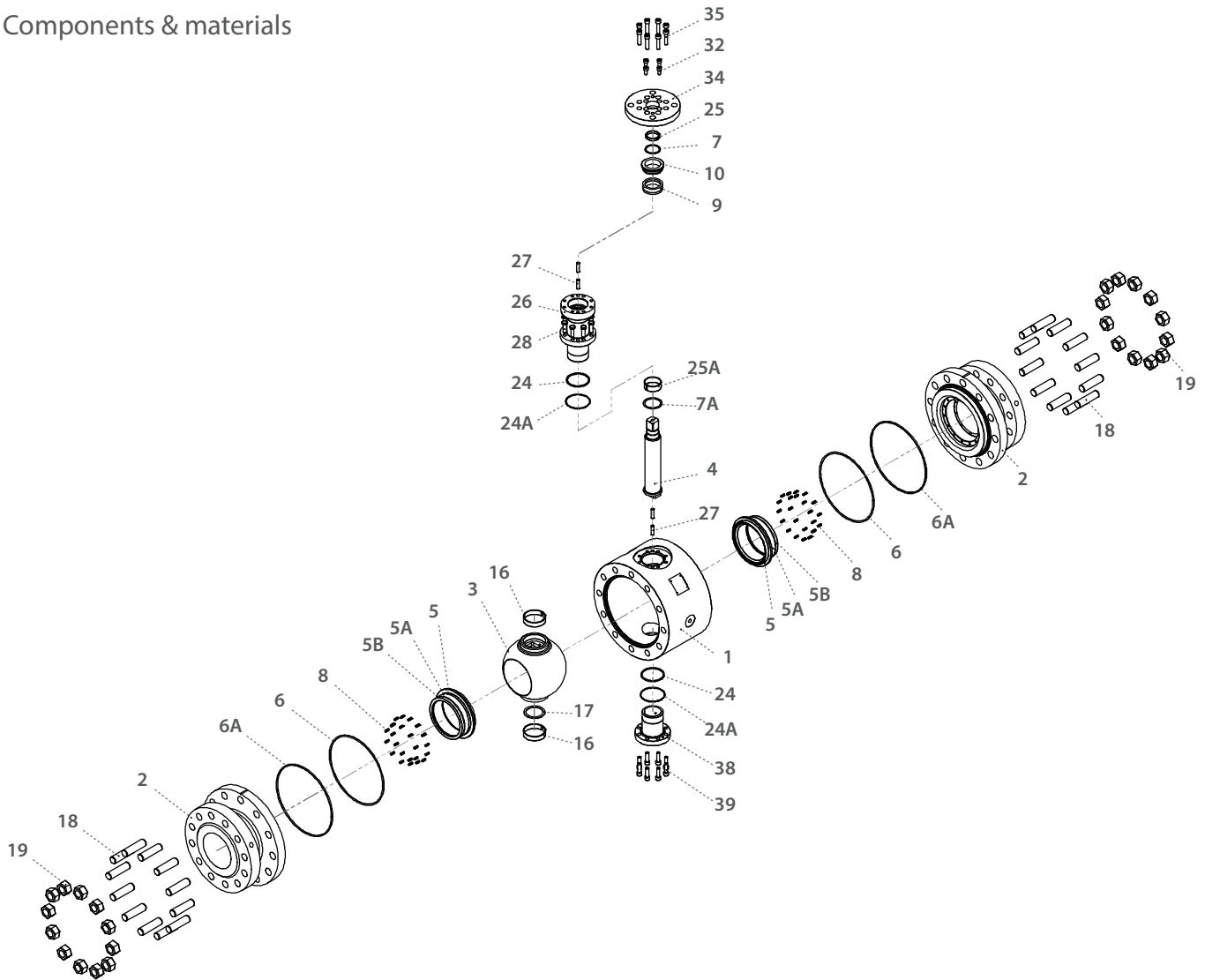
Z95T

Z96T

2"-6"

High Temperature Trunnion Ball 3 Piece Up to 538°C (1000°F)

Components & materials



Item	Description	Material Spec. ASTM	Qty.
1	Body	Acc. Ordering Code	1
2	End	Acc. Ordering Code	2
3	Ball	Acc. Ordering Code	1
4	Stem	Acc. Ordering Code	1
5*	Seat	Acc. Ordering Code	2
5A*	Seat seal	Graphite	2
5B*	Seat ring	Acc. Ordering Code	2
6*	Body inner seal	Graphite	2
6A*	Body outer seal	Graphite	2
7	Upper thrust seal	S.steel 316 / Inconel 625	1
7A	Lower thrust seal	S.steel 316 / Inconel 625	1
8	Seat Spring	Inconel X750	16-48
9*	Stem seal	Graphite	1
10	Follower	S.steel	1
16	Ball bearing	S.steel 316 / Inconel 625	2
17	Ball thrust seal	S.steel 316 / Inconel 625	1

Item	Description	Material Spec. ASTM	Qty.
18	Body stud	A193-B8M / A320 L7	8-24
19	Body nuts	A194 8M / A194 L7	8-24
24*	Bonnet inner seal	Graphite	2
24A*	Bonnet outer seal	Graphite	2
25	Upper stem bearing	S.steel 316 / Inconel 625	1
25A	Lower stem bearing	S.steel 316 / Inconel 625	1
26	Bonnet	S. steel / C. steel	1
27	Bonnet pin	S. steel / C. steel	4
28	Bonnet bolts	A193-B8M / A320 L7	4-8
32	Follower drive bolts	A193-B8M / A320 L7	4-8
34	Iso plate	S. steel / C. steel	1
35	Iso plate bolts	A193-B8M / A320 L7	4-8
38	External trunnion	S. steel / C. steel	1
39	External trunnion bolts	A193-B8M / A320 L7	4-8

* Repair kit components

Z91T

Z92T

Z93T

Z94T

Z95T

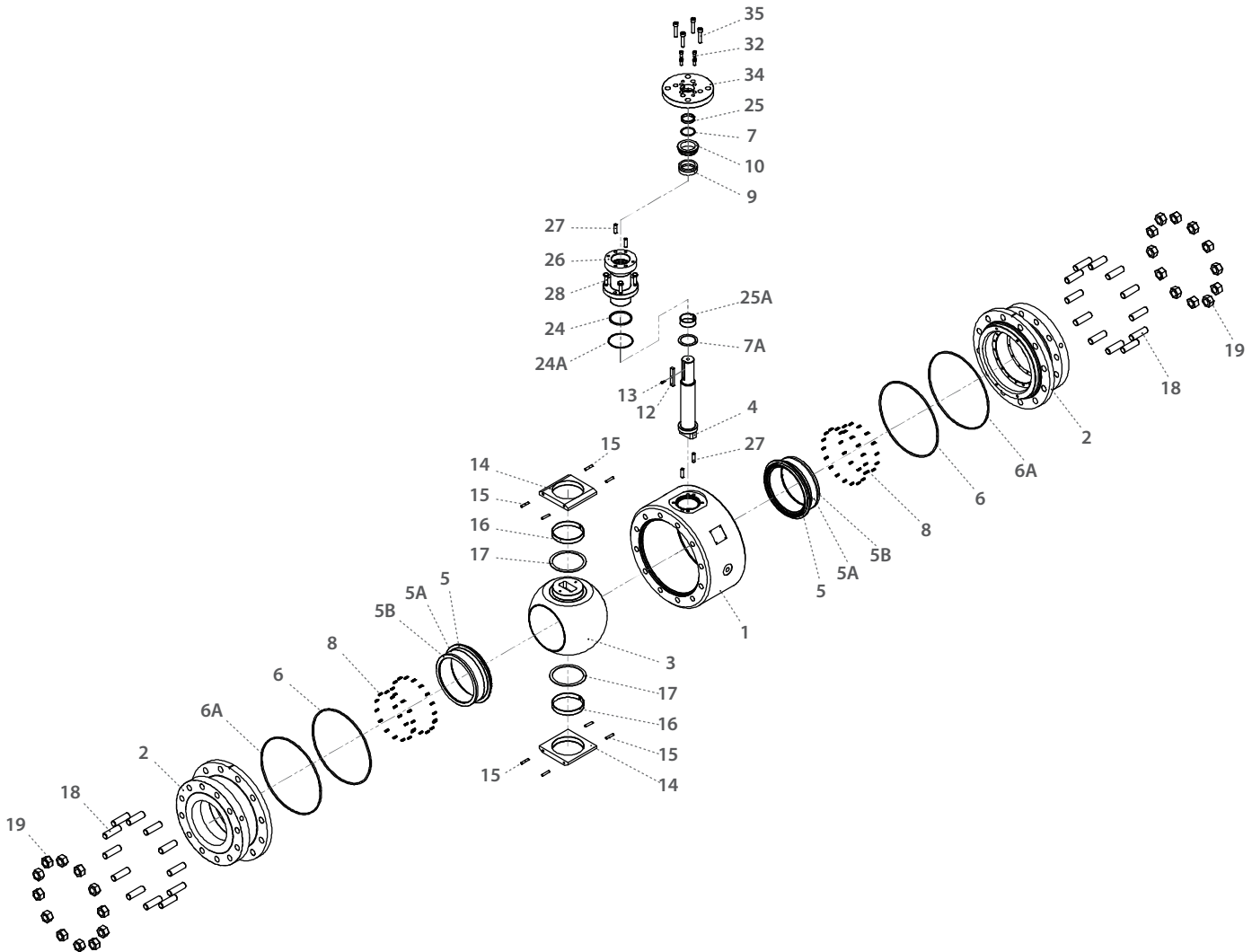
Z96T

8"-12"



High Temperature Trunnion Ball 3 Piece Up to 538°C (1000°F)

Components & materials



Item	Description	Material Spec. ASTM	Qty.
1	Body	Acc. Ordering code	1
2	End	Acc. Ordering code	2
3	Ball	Acc. Ordering code	1
4	Stem	Acc. Ordering code	1
5*	Seat	Acc. Ordering code	2
5A*	Seat seal	Graphite	2
5B*	Seat ring	Acc. Ordering code	2
6*	Body inner seal	Graphite	2
6A*	Body outer seal	Graphite	2
7	Upper thrust seal	S.steel 316 / Inconel 625	1
7A	Lower thrust seal	S.steel 316 / Inconel 625	1
8	Seat Spring	Inconel X750	68-76
9*	Stem seal	Graphite	1
10	Follower	S.steel	1
12	Stem key	S.steel / C.steel	1
13	Stem key bolt	S.steel / C.steel	1
14	Trunnion plate	S.steel / C.steel	2

Item	Description	Material Spec. ASTM	Qty.
15	Trunnion plate pin	S.steel / C.steel	8
16	Ball bearing	S.steel 316 / Inconel 625	2
17	Ball thrust washer	S.steel 316 / Inconel 625	2
18	Body stud	A193-B8M / A320 L7	16-40
19	Body nuts	A194 8M / A194 L7	16-40
24*	Bonnet inner seal	Graphite	1
24A*	Bonnet outer seal	Graphite	1
25	Upper stem bearing	S.steel 316 / Inconel 625	1
25A	Lower stem bearing	S.steel 316 / Inconel 625	1
26	Bonnet	S.steel / C.steel	1
27	Bonnet pin	S.steel / C.steel	4
28	Bonnet bolts	ASTM A320-B8M	4-8
32	Follower drive bolts	ASTM A320-B8M	4-8
34	Iso plate	S.steel / C.steel	1
35	Iso plate bolts	A193-B8M / A320 L7	4-8

* Repair kit components