

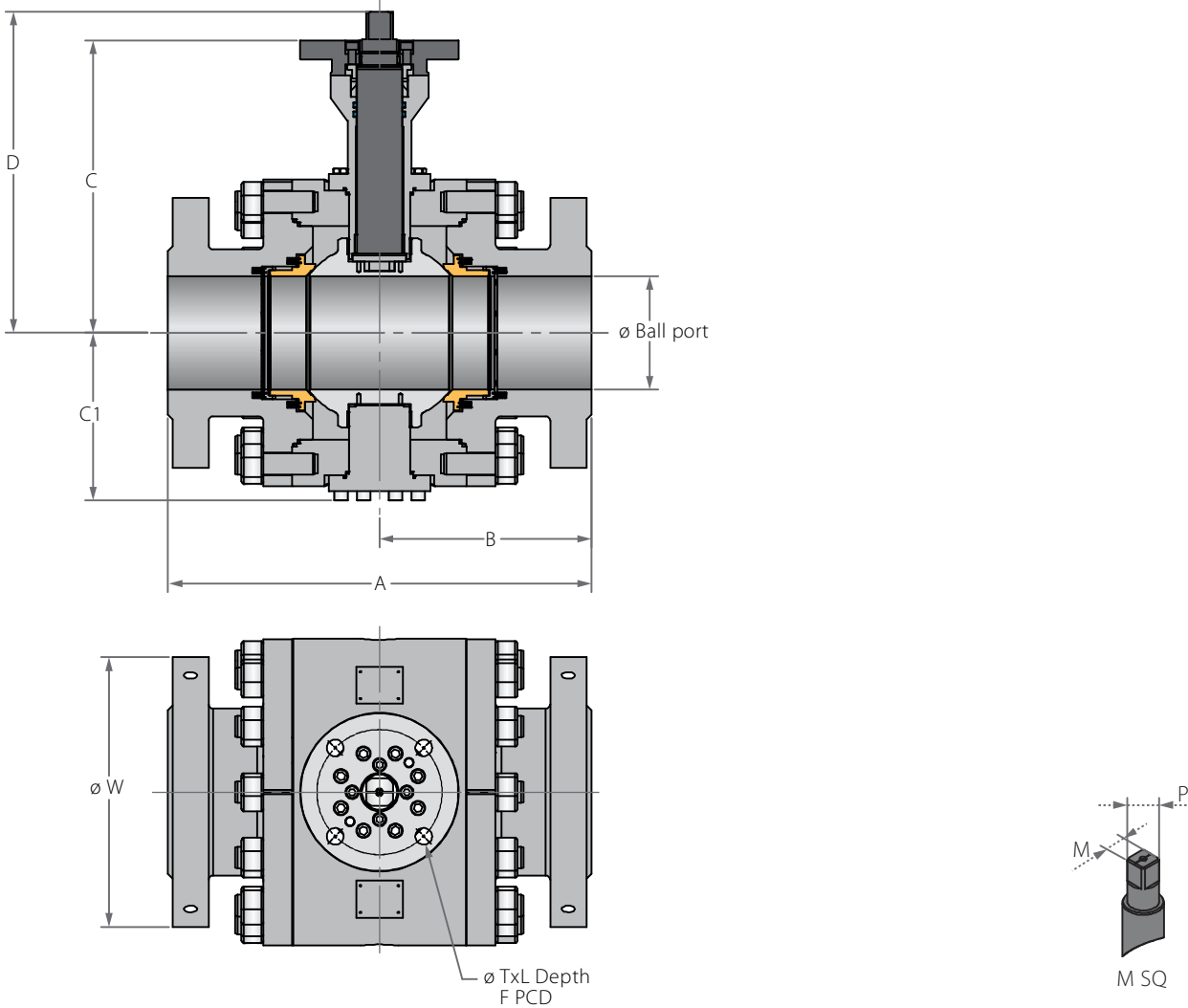
Z91T

Z92T

2"-6" | DN50-DN150 | CLASS 150/300

High Temperature Trunnion Ball 3 Piece Up to 538°C (1000°F)

Valve dimensions



Full port	Unit	Ball port	A		B		C	C1	D		M SQ	P SQ	F	TxL	Weight kg/ib		Kv/Cv		
			150	300	150	300			150	300					150	300	150	300	
DN50	mm	49.00	178.00	216.00	89.00	108.00	250.00	94.00	269.00	150.00	165.00	16.90	(F10)	102.00	M10X15	27	31	400	363
2"	inch	1.93	7.01	8.50	3.50	4.25	9.84	3.70	10.59	5.91	6.50	0.67		4.02	(4 holes)	60	68	463	420
DN80	mm	74.00	203.00	283.00	101.50	141.50	277.00	117.00	301.00	190.00	210.00	21.90	(F12)	125.00	M12X15	49	63	1125	952
3"	inch	2.91	7.99	11.14	4.00	5.57	10.91	4.61	11.85	7.48	8.27	0.86		4.92	(4 holes)	108	139	1300	1100
DN100	mm	100.00	229.00	305.00	114.50	152.50	293.00	139.00	322.00	230.00	255.00	26.90	(F14)	140.00	M16X15	72	96	2154	1860
4"	inch	3.94	9.02	12.00	4.51	6.00	11.54	5.47	12.68	9.06	10.04	1.06		5.51	(4 holes)	159	212	2490	2150
DN150	mm	150.00	394.00	403.00	197.00	201.50	362.00	191.00	400.00	280.00	320.00	35.90	(F16)	165.00	M22X25	166	184	4723	4628
6"	inch	5.91	15.51	15.87	7.76	7.93	14.25	7.52	15.75	11.02	12.60	1.41		6.50	(4 holes)	366	406	5460	5350

Z91T

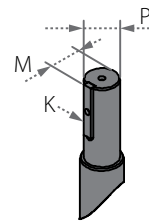
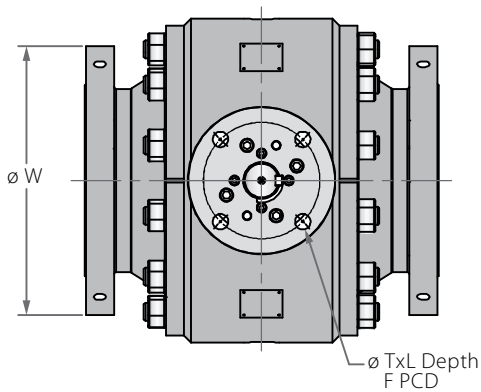
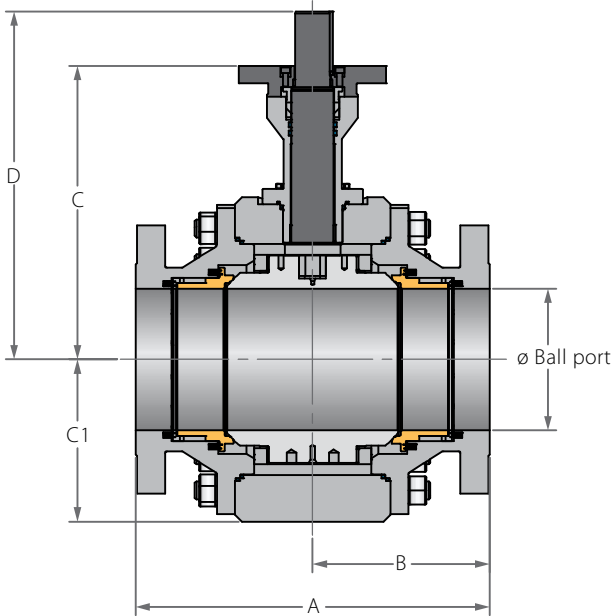
Z92T

8"-12" | DN50-DN150 | CLASS 150/300



High Temperature Trunnion Ball 3 Piece Up to 538°C (1000°F)

Valve dimensions



Full port	Unit	Ball port	A		B		C	C1	D	M	K	F	TxL	Weight kg/ib		Kv/Cv	
			150	300	150	300								150	300	150	300
DN200	mm	201.00	457.00	502.00	228.50	251.00	416.00	215.00	493.00	345.00	380.00	50.00	14.00	346	378	9273	8737
8"	inch	7.91	17.99	19.76	9.00	9.88	16.38	8.46	19.41	13.58	14.96			1.97	2.13	0.55	10720
DN250	mm	252.00	533.00	568.00	266.50	284.00	504.00	260.00	581.00	405.00	445.00	50.00	14.00	518	639	15224	14792
10"	inch	9.92	20.98	22.36	10.49	11.18	19.84	10.24	22.87	15.94	17.52			1.97	2.13	0.55	17600
DN300	mm	303.00	610.00	648.00	305.00	324.00	590.00	300.00	671.00	485.00	520.00	60.00	18.00	723	833	23096	22404
12"	inch	11.93	24.02	25.51	12.01	12.76	23.23	11.81	26.42	19.09	20.47			2.36	2.50	0.71	26700

Z91T

Z92T

Z93T

Z94T

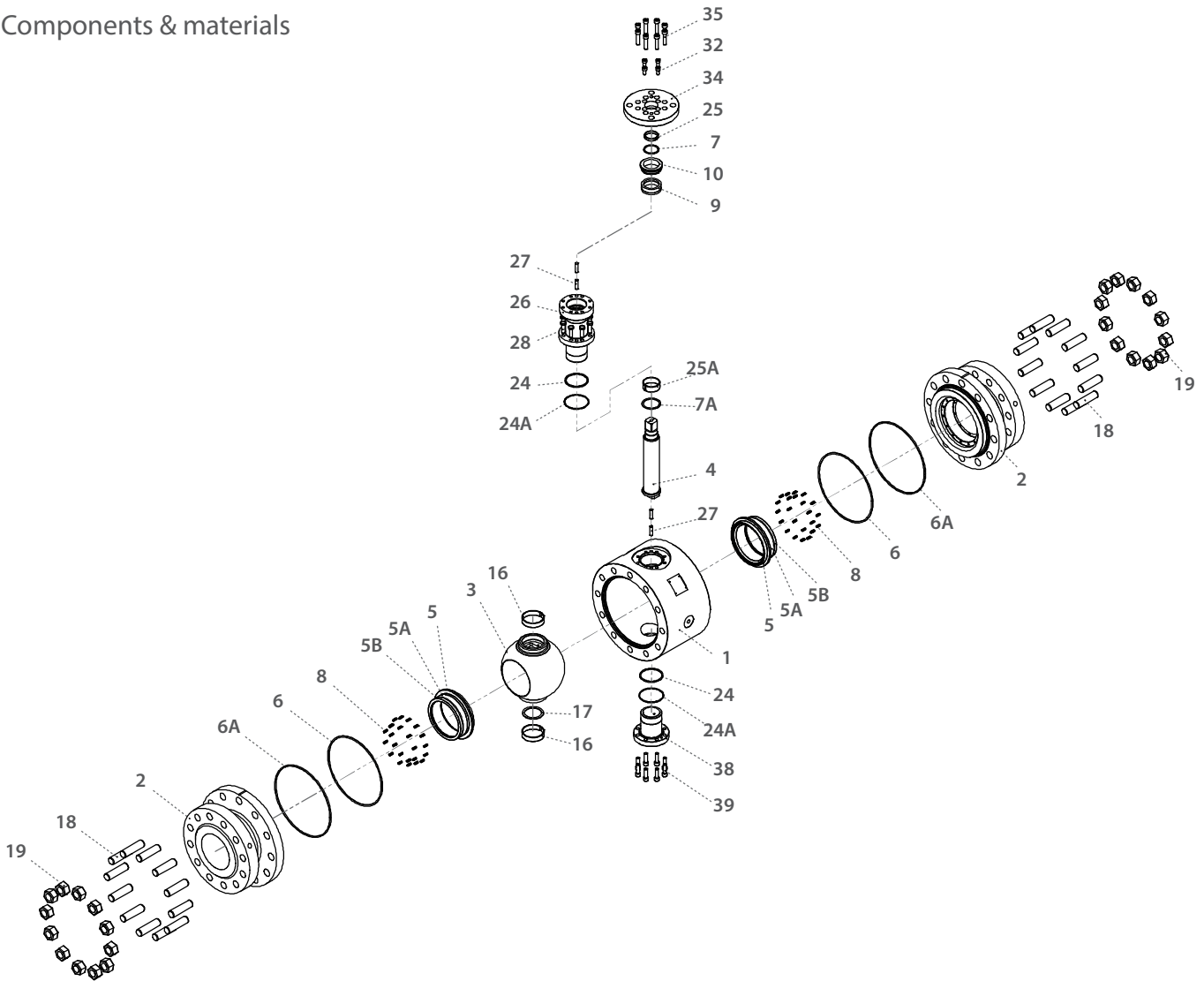
Z95T

Z96T

2"-6"

High Temperature Trunnion Ball 3 Piece Up to 538°C (1000°F)

Components & materials



Item	Description	Material Spec. ASTM	Qty.
1	Body	Acc. Ordering Code	1
2	End	Acc. Ordering Code	2
3	Ball	Acc. Ordering Code	1
4	Stem	Acc. Ordering Code	1
5*	Seat	Acc. Ordering Code	2
5A*	Seat seal	Graphite	2
5B*	Seat ring	Acc. Ordering Code	2
6*	Body inner seal	Graphite	2
6A*	Body outer seal	Graphite	2
7	Upper thrust seal	S.steel 316 / Inconel 625	1
7A	Lower thrust seal	S.steel 316 / Inconel 625	1
8	Seat Spring	Inconel X750	16-48
9*	Stem seal	Graphite	1
10	Follower	S.steel	1
16	Ball bearing	S.steel 316 / Inconel 625	2
17	Ball thrust seal	S.steel 316 / Inconel 625	1

Item	Description	Material Spec. ASTM	Qty.
18	Body stud	A193-B8M / A320 L7	8-24
19	Body nuts	A194 8M / A194 L7	8-24
24*	Bonnet inner seal	Graphite	2
24A*	Bonnet outer seal	Graphite	2
25	Upper stem bearing	S.steel 316 / Inconel 625	1
25A	Lower stem bearing	S.steel 316 / Inconel 625	1
26	Bonnet	S. steel / C. steel	1
27	Bonnet pin	S. steel / C. steel	4
28	Bonnet bolts	A193-B8M / A320 L7	4-8
32	Follower drive bolts	A193-B8M / A320 L7	4-8
34	Iso plate	S. steel / C. steel	1
35	Iso plate bolts	A193-B8M / A320 L7	4-8
38	External trunnion	S. steel / C. steel	1
39	External trunnion bolts	A193-B8M / A320 L7	4-8

* Repair kit components

Z91T

Z92T

Z93T

Z94T

Z95T

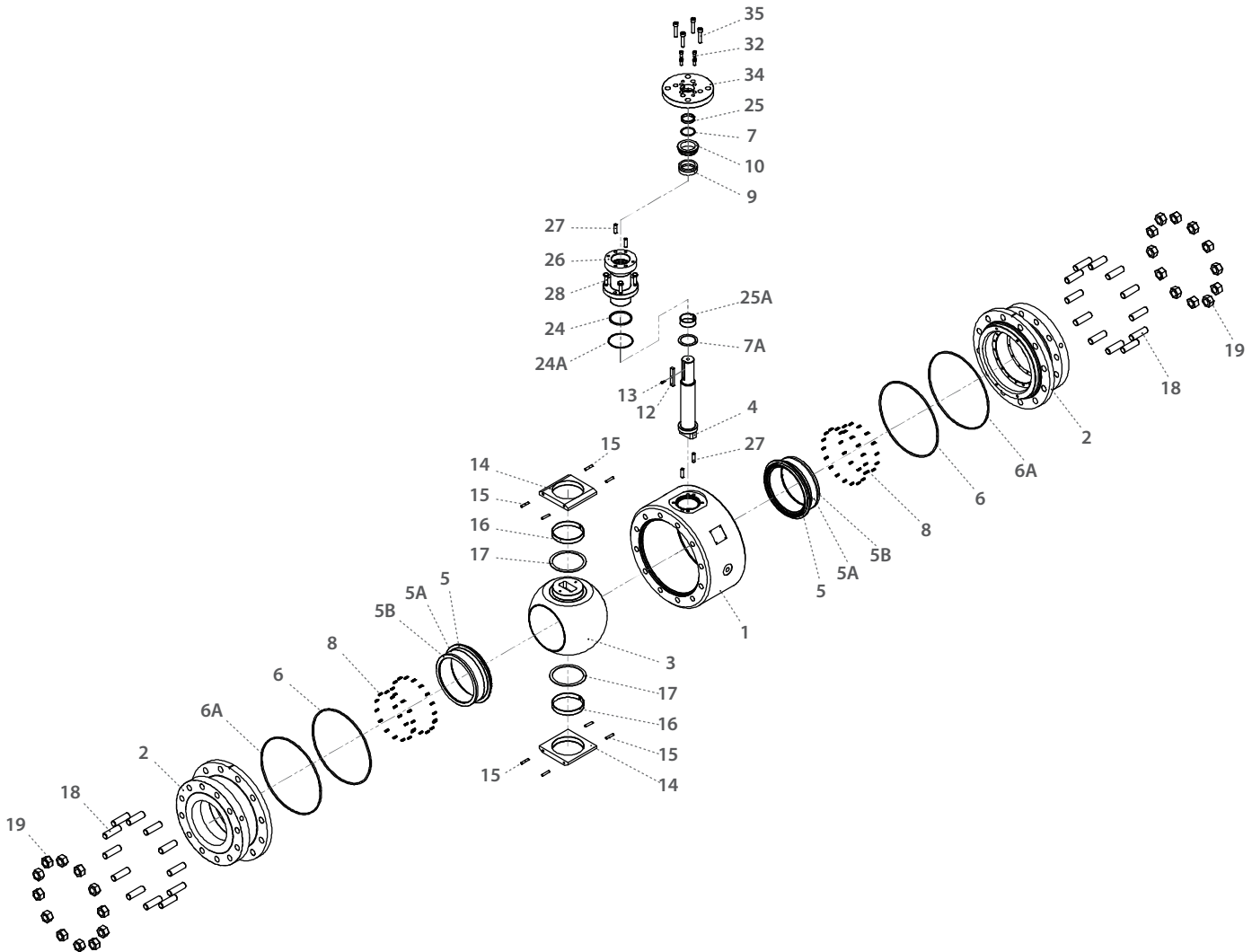
Z96T

8"-12"



High Temperature Trunnion Ball 3 Piece Up to 538°C (1000°F)

Components & materials



Item	Description	Material Spec. ASTM	Qty.
1	Body	Acc. Ordering code	1
2	End	Acc. Ordering code	2
3	Ball	Acc. Ordering code	1
4	Stem	Acc. Ordering code	1
5*	Seat	Acc. Ordering code	2
5A*	Seat seal	Graphite	2
5B*	Seat ring	Acc. Ordering code	2
6*	Body inner seal	Graphite	2
6A*	Body outer seal	Graphite	2
7	Upper thrust seal	S.steel 316 / Inconel 625	1
7A	Lower thrust seal	S.steel 316 / Inconel 625	1
8	Seat Spring	Inconel X750	68-76
9*	Stem seal	Graphite	1
10	Follower	S.steel	1
12	Stem key	S.steel / C.steel	1
13	Stem key bolt	S.steel / C.steel	1
14	Trunnion plate	S.steel / C.steel	2

Item	Description	Material Spec. ASTM	Qty.
15	Trunnion plate pin	S.steel / C.steel	8
16	Ball bearing	S.steel 316 / Inconel 625	2
17	Ball thrust washer	S.steel 316 / Inconel 625	2
18	Body stud	A193-B8M / A320 L7	16-40
19	Body nuts	A194 8M / A194 L7	16-40
24*	Bonnet inner seal	Graphite	1
24A*	Bonnet outer seal	Graphite	1
25	Upper stem bearing	S.steel 316 / Inconel 625	1
25A	Lower stem bearing	S.steel 316 / Inconel 625	1
26	Bonnet	S.steel / C.steel	1
27	Bonnet pin	S.steel / C.steel	4
28	Bonnet bolts	ASTM A320-B8M	4-8
32	Follower drive bolts	ASTM A320-B8M	4-8
34	Iso plate	S.steel / C.steel	1
35	Iso plate bolts	A193-B8M / A320 L7	4-8

* Repair kit components