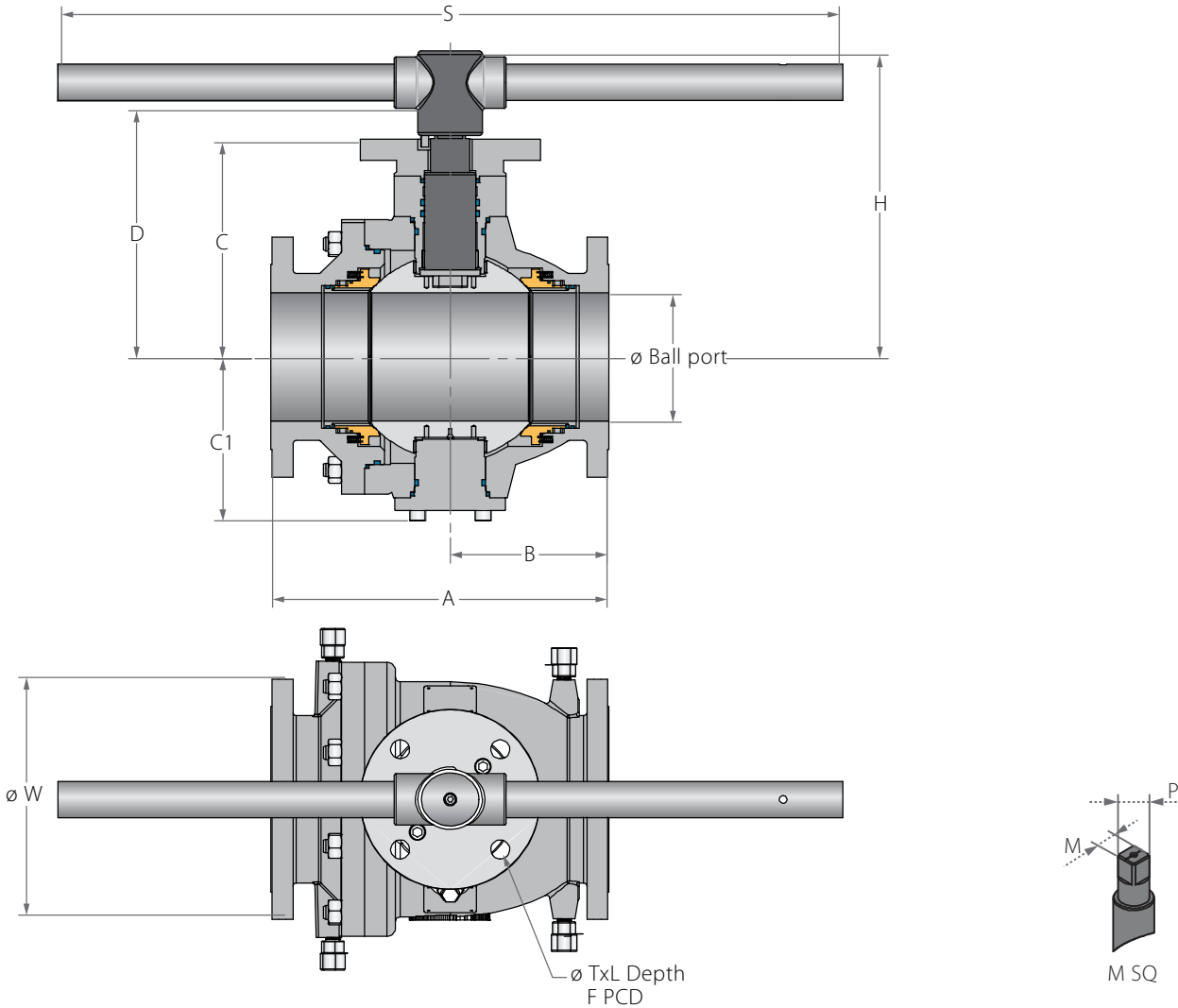


High Temperature Trunnion Ball 2 Piece Up to 327°C (620°F)

Valve dimensions

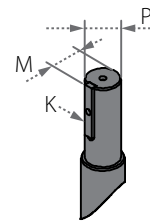
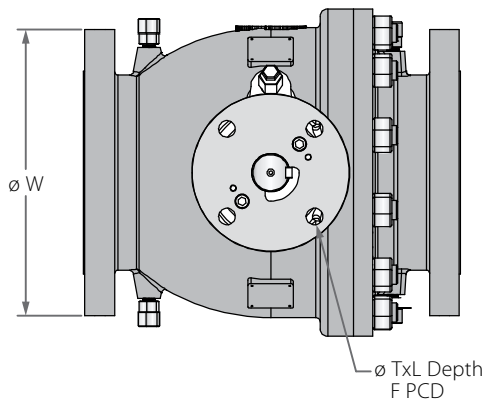
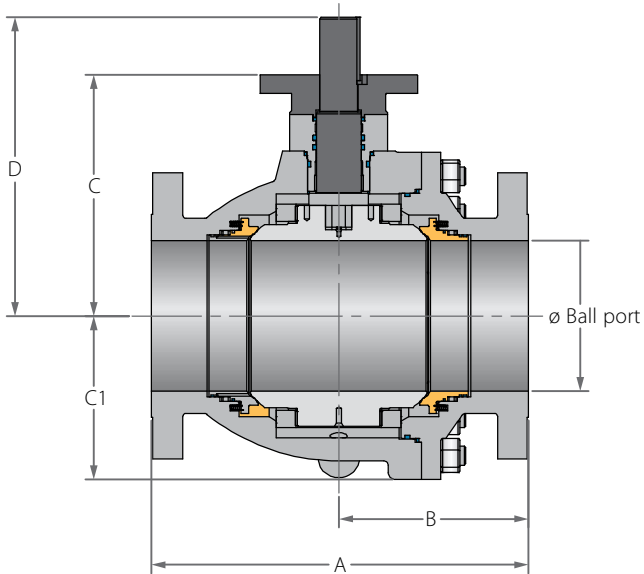


Full port	Unit	Ball port	A	B	C	C1	D	W	M SQ	P SQ	H	S	F	TxL	Weight kg/ib	Kv/Cv	
DN50	mm	49.00	292.00	131.00	144.00	119.00	168.50	165.00	22.00	28.00	219.50	401.00	(F12)	125.00	13X15	35	329
2"	inch	1.93	11.50	5.16	5.67	4.69	6.63	6.50	0.87	1.10	8.64	15.79		4.92	(4 holes)	77	380
DN80	mm	74.00	356.00	161.00	191.00	160.00	215.00	210.00	22.00	28.00	266.00	610.00	(F12)	140.00	18X24	71	874
3"	inch	2.91	14.02	6.34	7.52	6.30	8.46	8.27	0.87	1.10	10.47	24.02		5.51	(4 holes)	157	1010
DN100	mm	100.00	432.00	216.00	217.00	184.00	246.50	275.00	27.00	36.00	316.50	916.00	(F16)	165.00	22X25	123	1557
4"	inch	3.94	17.01	8.50	8.54	7.24	9.70	10.83	1.06	1.42	12.46	36.06		6.50	(4 holes)	271	1800
DN150	mm	150.00	559.00	278.00	282.50	214.50	320.50	355.00	36.00	48.20	385.00	916.00	(F16)	165.00	22X25	244	3893
6"	inch	5.91	22.01	10.94	11.12	8.44	12.62	13.98	1.42	1.90	15.16	36.06		6.50	(4 holes)	538	4500



High Temperature Trunnion Ball 2 Piece Up to 327°C (620°F)

Valve dimensions



Full port	Unit	Ball port	A	B	C	C1	D	W	P	M	K	F	TxL	Weight kg/ib	Kv/Cv	
DN50	mm	201.00	660.00	330.00	312.00	263.00	409.00	420.00	72.00	76.50	20.00	(F25)	254.00	18x25	412	7742
2"	inch	7.91	25.98	12.99	12.28	10.35	16.10	16.54	2.83	3.01	0.79		10.00	(8 holes)	908	8950
DN80	mm	252.00	787.00	400.00	374.00	310.00	471.00	510.00	72.00	76.50	20.00	(F25)	254.00	18x25	665	12543
3"	inch	9.92	30.98	15.75	14.72	12.20	18.54	20.08	2.83	3.01	0.79		10.00	(8 holes)	1466	14500
DN100	mm	303.00	838.00	419.00	402.00	344.00	499.00	560.00	72.00	76.50	20.00	(F25)	254.00	18x35	804	19809
4"	inch	11.93	32.99	16.50	15.83	13.54	19.65	22.05	2.83	3.01	0.79		10.00	(8 holes)	1772	22900