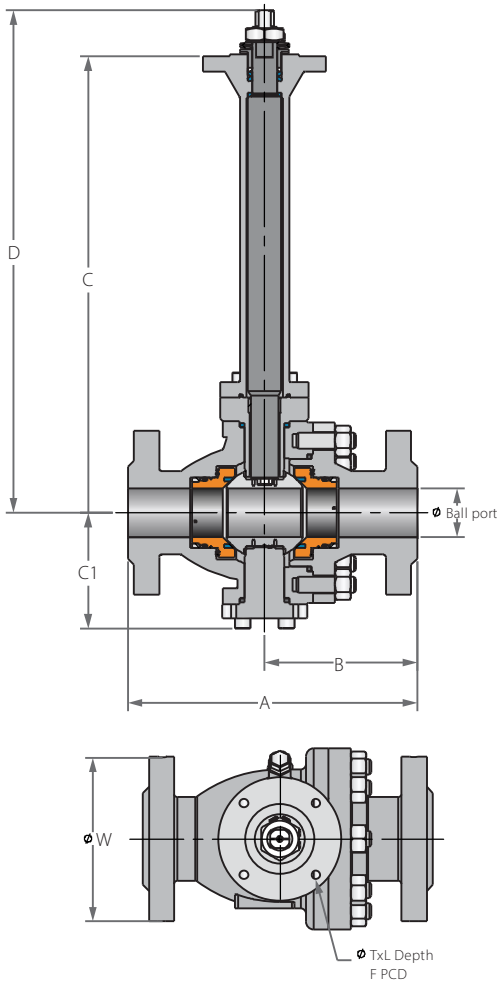
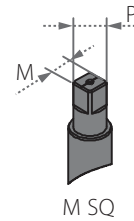


Cryogenic Trunnion Mounted Ball 2 Piece

Valve dimensions



Preparation for actuation

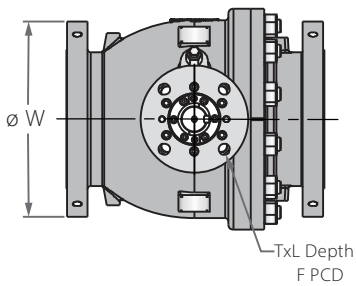
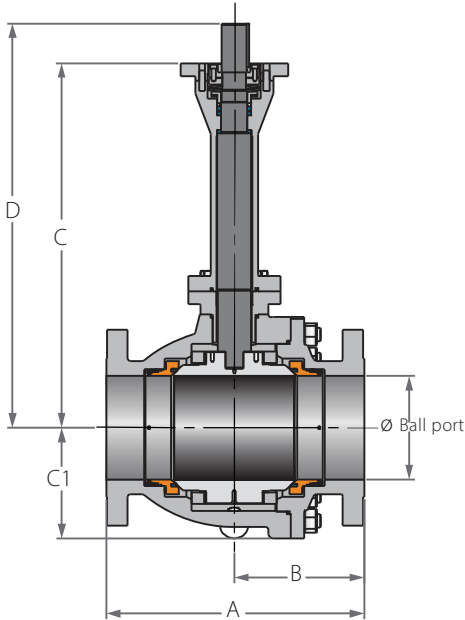


Full port	Unit	Ball port	A	B	C	C1	D	W	M SQ	P SQ	F	TxL	Weight kg/ib	Kv Cv	
DN50	mm	49	292	131	500	119	547.5	165	18.9	22.7	(F10)	102	M10X15 (4 holes)	43 95	329 380
2"	inch	1.93	11.5	5.16	19.69	4.69	21.56	6.5	0.74	0.89		4.02			
DN80	mm	74	356	161	550	160	617	210	28.45	35.2	(F12)	125	M12X15 (4 holes)	84.5 186	874 1010
3"	inch	2.91	14.02	6.34	21.65	6.3	24.29	8.27	1.12	1.39		4.92			
DN100	mm	100	432	216	600	184	712.6	275	35.9	43.5	(F14)	140	M16X20 (4 holes)	139 306	1557 1800
4"	inch	3.94	17.01	8.50	23.62	7.24	28.06	10.83	1.41	1.71		5.51			
DN150	mm	150	559	278	624.5	214.5	737.1	355	35.9	43.5	(F14)	140	M16X20 (4 holes)	275 606	3893 4500
6"	inch	5.91	22.01	10.94	24.59	8.44	29.02	13.98	1.41	1.71		5.51			

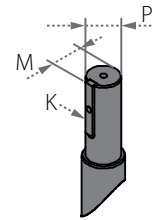


Cryogenic Trunnion Mounted Ball 2 Piece

Valve dimensions



Preparation for actuation



Full port	Unit	Ball port	A	B	C	C1	D	W	P	M	K	F	TxL	Weight kg/ib	Kv Cv	
DN200	mm	201.00	660.00	330.00	696.00	263.00	774.00	420.00	60.00	63.50	14.00	(F25)	254.00	18x25	475	7742
8"	inch	7.91	25.98	12.99	27.40	10.35	30.47	16.54	2.36	2.50	0.55		10.00	(8 holes)	1047	8950
DN250	mm	252.00	787.00	400.00	739.00	310.00	817.00	510.00	60.00	63.50	14.00	(F25)	254.00	18x35	725	12543
10"	inch	9.92	30.98	15.75	29.09	12.20	32.17	20.08	2.36	2.50	0.55		10.00	(8 holes)	1598	14500
DN300	mm	303.00	838.00	419.00	800.00	344.00	915.00	560.00	72.00	76.50	20.00	(F25)	254.00	18x35	928	19809
12"	inch	11.93	32.99	16.50	31.50	13.54	36.02	22.05	2.83	3.01	0.79		10.00	(8 holes)	2046	22900

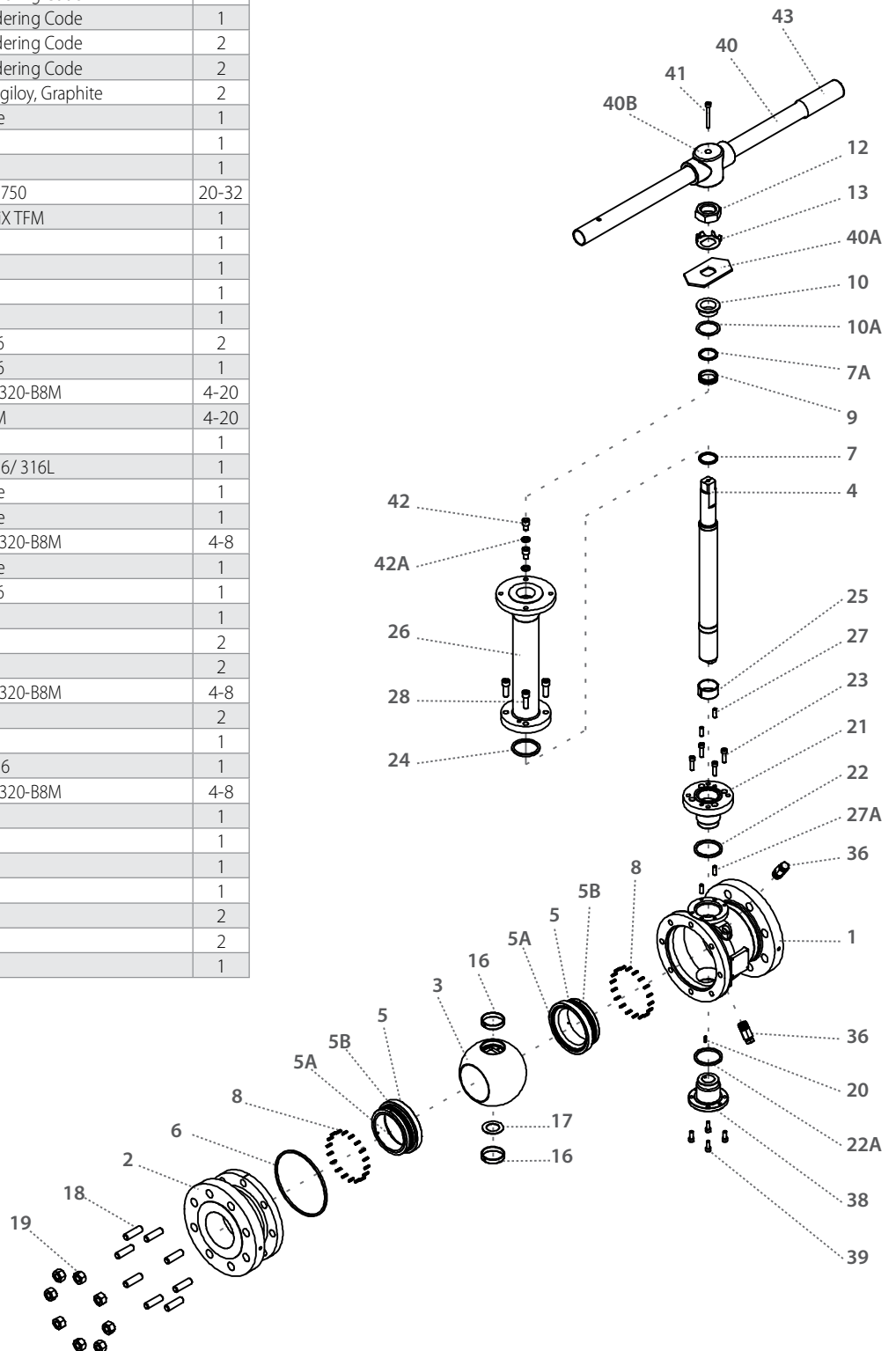
C81**C82****C83** 2"-6"

Cryogenic Trunnion Mounted Ball 2 Piece

Components & materials

Item	Description	Material Spec. ASTM	Qty.
1	Body	Acc. Ordering Code	1
2	End	Acc. Ordering Code	1
3	Ball	Acc. Ordering Code	1
4	Stem	Acc. Ordering Code	1
5*	Seat	Acc. Ordering Code	2
5A*	Seat insert	Acc. Ordering Code	2
5B*	Seat seal	PTFE+Elgiloy, Graphite	2
6*	Body seal	Graphite	1
7*	Stem thrust seal	PCTFE	1
7A*	Anti-abrasion ring	PCTFE	1
8	Seat spring	Inconel 750	20-32
9*	Stem seal	HermetiX TFM	1
10	Follower	S. Steel	1
10A*	Slide bearing	S. Steel	1
12	Stem nut	S. Steel	1
13	Tab lock washer	S. Steel	1
16	Ball Bearing	PMT 316	2
17	Ball Thrust Washer	PMT 316	1
18	Body Stud	ASTM A320-B8M	4-20
19	Body Nut	A194 8M	4-20
20	Anti-static spring	S. Steel	1
21	Gland Plate	A479 316/ 316L	1
22*	Gland Plate Seal	Graphite	1
22A*	Outer trunnion seal	Graphite	1
23	Gland Plate Bolts	ASTM A320-B8M	4-8
24*	Bonnet seal	Graphite	1
25	Stem bearing	PMT 316	1
26	Bonnet	S. Steel	1
27	Bonnet Pins	S. Steel	2
27A	Gland Pins	S. Steel	2
28	Bonnet Bolts	ASTM A320-B8M	4-8
36	Plug drain/ vent valve	S. Steel	2
37	Tag (not shown)	S.Steel	1
38	Outer trunnion	A479 316	1
39	Outer trunnion bolts	ASTM A320-B8M	4-8
40	Pipe handle	S. Steel	1
40A	Stop plate	S. Steel	1
40B	Wrench head	S. Steel	1
41	Wrench head bolt	S. Steel	1
42	Stop bolt	S. Steel	2
42A	Spring washer	S. Steel	2
43	Sleeve	PCV	1

* Repair kit components





Cryogenic Trunnion Mounted Ball 2 Piece

Components & materials

Item	Description	Material Spec. ASTM	Qty.
1	Body	Acc. Ordering Code	1
2	End	Acc. Ordering Code	1
3	Ball	Acc. Ordering Code	1
4	Stem	Acc. Ordering Code	1
5*	Seat	Acc. Ordering Code	2
5A*	Seat insert	Acc. Ordering Code	2
5B*	Seat seal	PTFE+Elgiloy, Graphite	2
6*	Body seal	Graphite	1
7*	Stem thrust seal	PCTFE	1
7A*	Anti-abrasion ring	PCTFE	1
8	Seat spring	Inconel X750	20-44
9*	Stem seal	HermetiX TFM	1
10	Follower	S. Steel	1
10A	Slide bearing	S. Steel	1
11	Disc spring	S. Steel	2
12	Stem key	S. Steel	1
13	Stem key bolt	S. Steel	1
14	Trunnion plate	A479 316	2
15	Trunnion plate Pin	S. Steel	8
16	Ball Bearing	PMT 316	2
17	Ball Thrust Washer	PMT 316	2
18	Body Stud	ASTM A320-B8M	8-20
19	Body Nut	A194 8M	8-20
20	Anti-static spring	S. Steel	1
21 ⁽¹⁾	Gland Plate	A479 316	1
22 ^{(1)*}	Gland Plate Seal	Graphite	1
23 ⁽¹⁾	Gland Plate Bolts	ASTM A320-B8M	6-8
24*	Bonnet seal	Graphite	1
25	Stem bearing	PMT 316	1
26	Bonnet	S. Steel	1
27	Bonnet Pin	S. Steel	4-6
28	Bonnet Bolts	ASTM A320-B8M	4-8
29	Bot Follower	A479 316	2
30	Bot Follower bolt	ASTM A320-B8M	2
31	Top Follower	A479 316	2
32	Top Follower drive bolt	ASTM A320-B8M	6-8
33	Top Follower bolt	ASTM A320-B8M	2
34	Iso Plate	A479 316	1
35	Iso Plate bolt	ASTM A320-B8M	4-8
36	Plug drain/ vent valve	S. Steel	2
37	Tag (not shown)	S.Steel	1-2

* Repair kit components

⁽¹⁾ At 8" size

