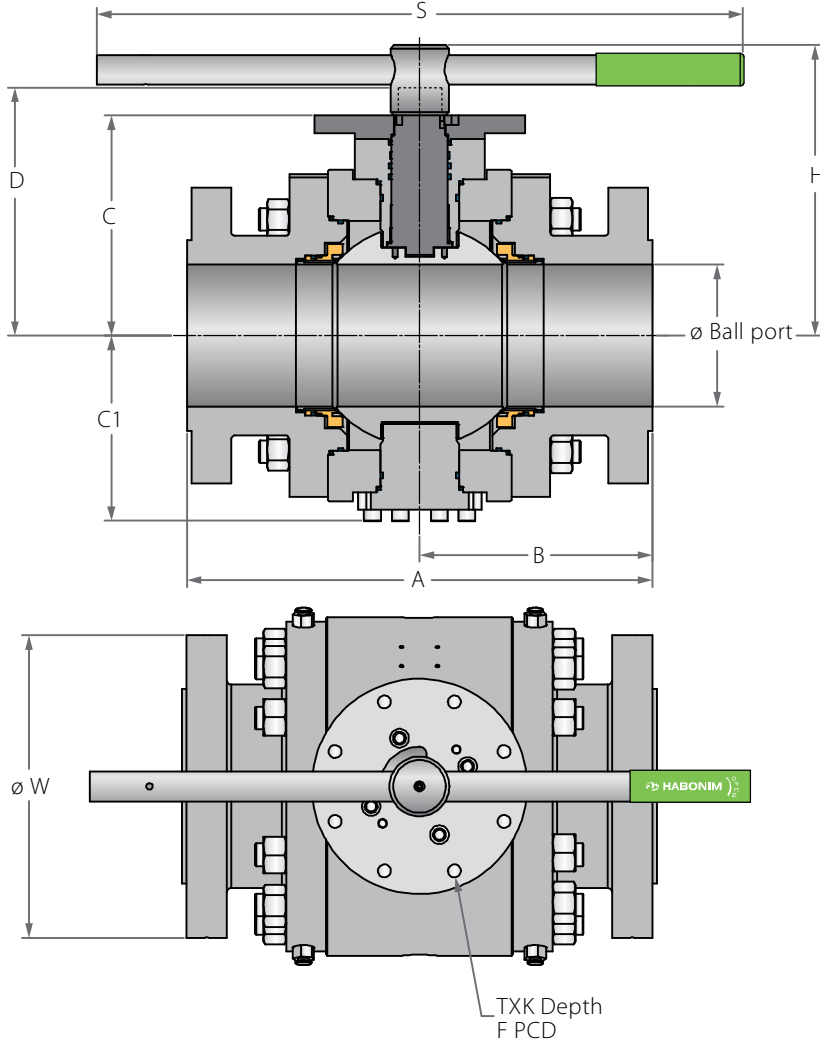
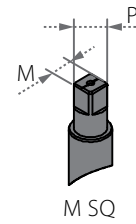


Trunnion Mounted Ball 3 Piece

Valve dimensions



Preparation for actuation

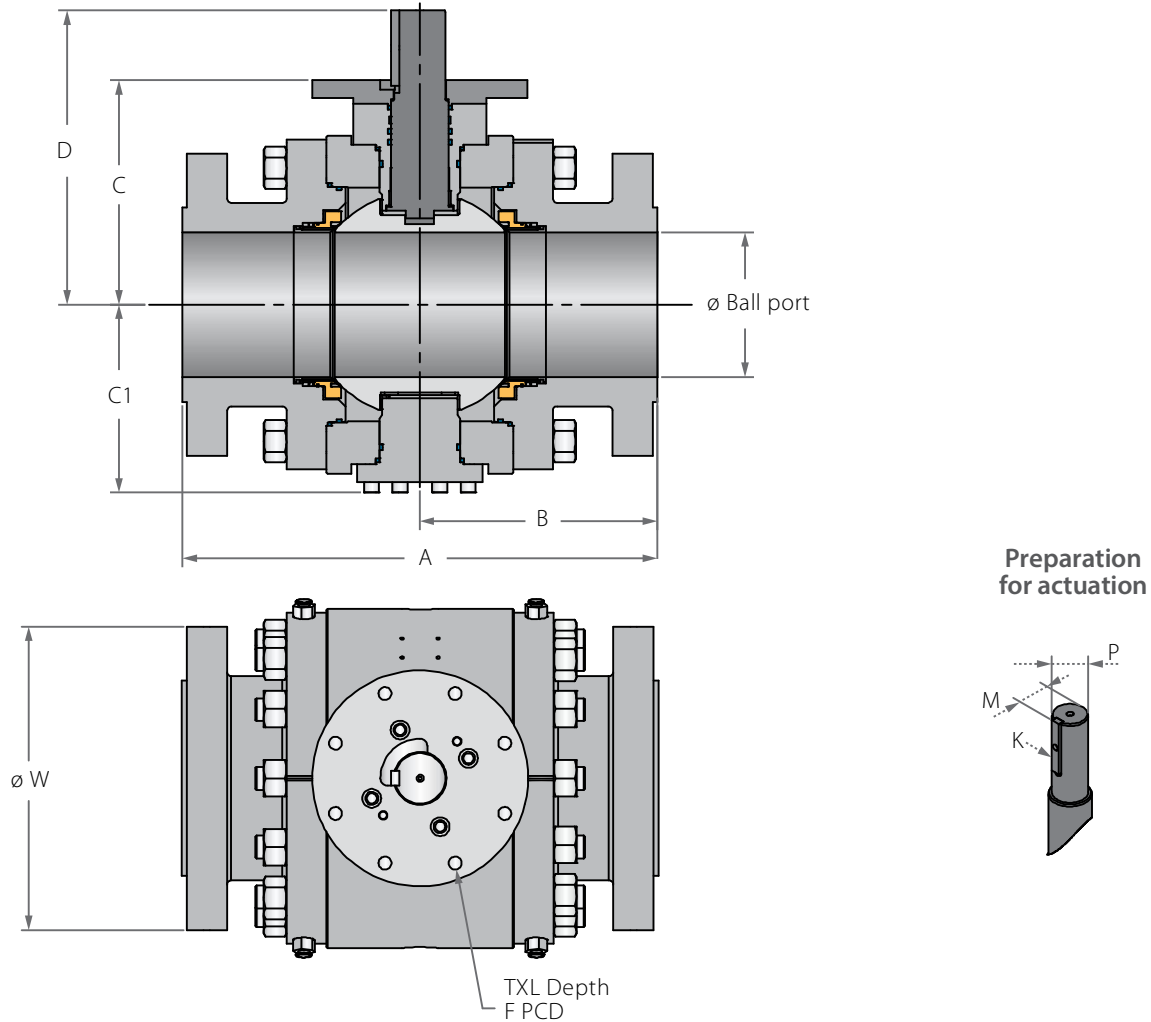


Std. port	Unit	Ball port	A		B		C		C1		D		W		Msq	Psq	H	S	F	TxL	Weight kg/lb				Kv / Cv	
			600	900	600	900	600	900	600	900	600	900	600	900							600	900	600	900		
DN50	mm	49.00	292.00	368.00	131.00	184.00	144.00	148.50	119.00	263.00	168.50	182.50	165.00	215.00	22.00	28.00	219.50	401.00	(F12)	125.00	13X15 (4 holes)	49	72	329	294	
2"	inch	1.93	11.50	14.49	5.16	7.24	5.67	5.85	4.69	10.35	6.63	7.19	6.50	8.46	0.87	1.10	8.64	15.79		4.92		108	159	380	340	
DN80	mm	74.00	356.00	381.00	161.00	190.50	191.00	214.00	160.00	152.70	215.00	237.50	210.00	240.00	22.00	28.00	266.00	610.00	(F14)	140.00	22x24 (4 holes)	103	146	874	822	
3"	inch	2.91	14.02	15.00	6.34	7.50	7.52	8.43	6.30	6.01	8.46	9.35	8.27	9.45	0.87	1.10	10.47	24.02		5.51		227	322	1010	950	
DN100	mm	100.00	432.00	457.00	216.00	228.50	217.00	193.00	184.00	184.00	246.50	259.00	275.00	290.00	27.00	36.00	316.50	916.00	(F16)	165.00	22x25 (4 holes)	166	232	1557	1471	
4"	inch	3.94	17.01	17.99	8.50	9.00	8.54	7.60	7.24	7.24	9.70	10.20	10.83	11.42	1.06	1.42	12.46	36.06		6.50		366	511	1800	1700	
DN150	mm	150.00	559.00	610.00	278.00	305.00	282.50	368.00	214.50	224.00	320.50	463.00	355.00	380.00	36.00	48.20	385.00	916.00	(F16)	165.00	22x25 (8 holes)	342	495	3893	3823	
6"	inch	5.91	22.01	24.02	10.94	12.01	11.12	14.49	8.44	8.82	12.62	18.23	13.98	14.96	1.42	1.90	15.16	36.06		6.50		754	1091	4500	4420	



Trunnion Mounted Ball 3 Piece

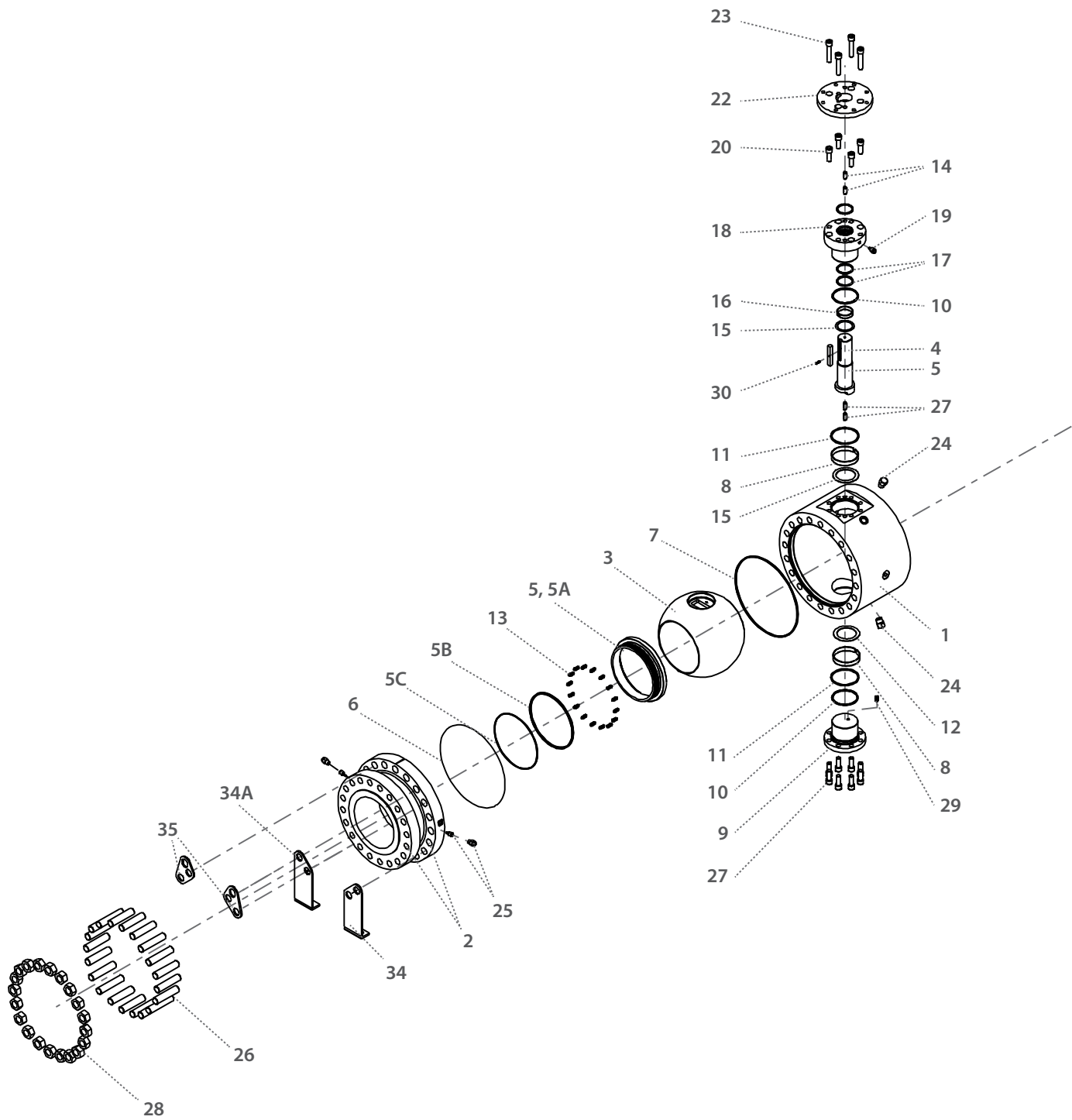
Valve dimensions



Std. port	Unit	Ball port	A		B		C		C1		D		W		P	M	K	F	TxL	Weight kg/lb		Kv / Cv		
			600	900	600	900	600	900	600	900	600	900	600	900						600	900	600	900	
DN200	mm	201.00	660.00	737.00	330.00	368.50	312.00	307.00	263.00	263.00	409.00	403.00	420.00	470.00	72.00	76.50	20.00	(F25)	254.00	18x25	577	836	7742	7344
8"	inch	7.91	25.98	29.02	12.99	14.51	12.28	12.09	10.35	10.35	16.10	15.87	16.54	18.50	2.83	3.01	0.79		10.00	(8 holes)	1272	1843	8950	8490
DN250	mm	252.00	787.00	838.00	400.00	419.00	374.00	384.00	310.00	326.00	489.50	499.00	510.00	545.00	72.00	76.50	20.00	(F25)	254.00	18x25	931	1301	12543	12110
10"	inch	9.92	30.98	32.99	15.75	16.50	14.72	15.12	12.20	12.83	19.27	19.65	20.08	21.46	2.83	3.01	0.79		10.00	(8 holes)	2052	2868	14500	14000
DN300	mm	303.00	838.00	965.00	419.00	482.50	402.00	419.00	344.00	361.00	517.00	544.00	560.00	610.00	72.00	76.50	20.00	(F25)	254.00	18x35	1126	1576	19809	18598
12"	inch	11.93	32.99	37.99	16.50	19.00	15.83	16.50	13.54	14.21	20.35	21.42	22.05	24.02	2.83	3.01	0.79		10.00	(8 holes)	2482	3474	22900	21500
DN350	mm	334.00	889.00	1029.00	444.50	514.50	435.00	503.00	412.00	433.00	565.00	633.00	605.00	640.00	80.00	87.00	22.00	(F30)	298.00	22x35	1638	2293	24739	23528
14"	inch	13.15	35.00	40.51	17.50	20.26	17.13	19.80	16.22	17.05	22.24	24.92	23.82	25.20	3.15	3.43	0.87		11.73	(8 holes)	3611	5055	28600	27200
DN400	mm	385.00	991.00	1130.00	515.00	565.00	500.00	604.00	442.00	520.00	636.00	734.00	686.00	705.00	98.00	104.00	28.00	(F30)	298.00	22x350	2258	3116	33735	32438
16"	inch	15.16	39.02	44.49	20.28	22.24	19.69	23.78	17.40	20.47	25.04	28.90	27.01	27.76	3.86	11.00	1.10		11.73	(8 holes)	4978	6870	39000	37500

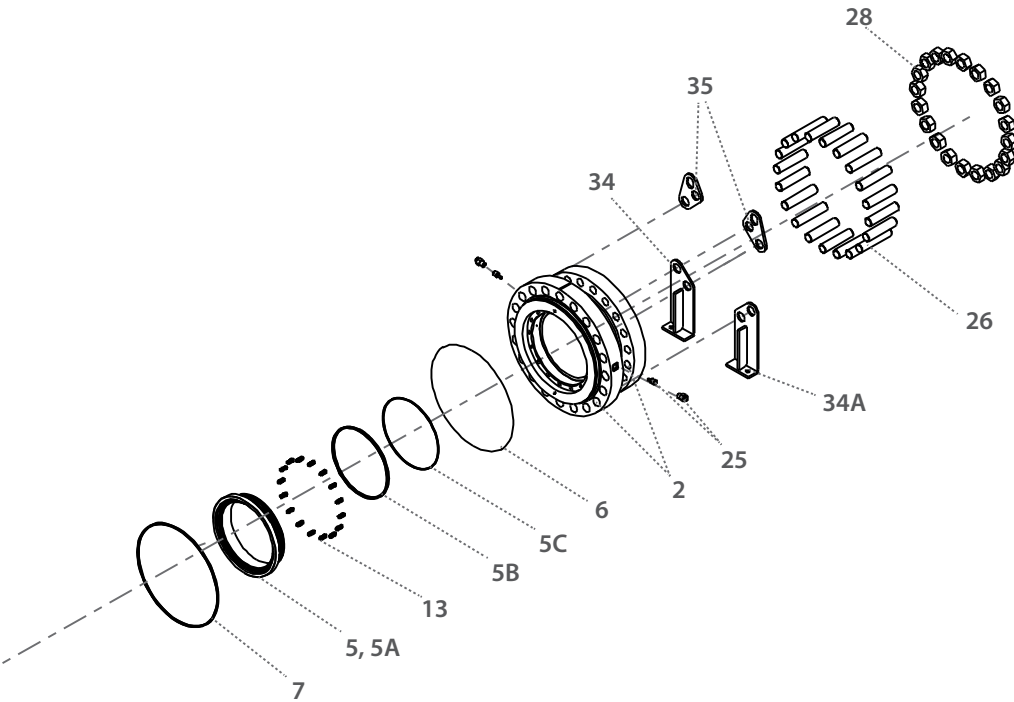
Trunnion Mounted Ball 3 Piece

Components & materials





Trunnion Mounted Ball 3 Piece



Item	Description	Material specification	Qty.
1	Body	Acc. Ordering Code	1
2	End	Acc. Ordering Code	2
3	Ball	Acc. Ordering Code	1
4	Stem	Acc. Ordering Code	1
5*	Seat	Acc. Ordering Code	2
5A	Seat insert	Acc. Ordering Code	2
5B	Seat seal	HNBR, VITON	2-4
5C	Seat fire safe seal	Graphite	2
6*	Body fire safe seal	Graphite	1
7*	Body seal	HNBR, VITON	1
8	Ball bearing	316L+PTFE	2
9	External trunnion	A350 LF2+ENP, A479 316L	1
10*	Gland plate & external trunnion fire safe seal	Graphite	2
11*	Gland plate & external trunnion seal	HNBR, VITON	2
12	Lower thrust washer	316L+PTFE	1
13	Seat spring	Inconel X750	10-26

Item	Description	Material specification	Qty.
14	Gland pin	C. Steel, S. Steel	4
15	Stem thrust seal	316L+PTFE	1
16	Gland plate bearing	316L+PTFE	1
17	Stem Seal	HNBR, VITON	2
18	Gland plate	A350 LF2+ENP, A479 316L, A105 +ENP	1
19	Stem grease fitting	S. St	1
20	Lower gland bolts	A320 L7, A193 B8M	2-6
21*	Stem gasket	Graphite	1
22	Iso plate	A350 LF2, A479 316L, A105	1
23	Upper gland bolts	A320 L7, A193 B8M	2-6
24	Plug drain valve	S. Steel	2
25**	Seat grease fitting + Check valve	S. Steel	4
26	Body stud	A320 L7, A193 B8M	4-20
27	External trunnion bolts	A320 L7, A193 B8M	4-12
28	Body nut	A194 GR-7, A193 GR-8M	4-20
29	Antistatic spring	Inconel X750	1
30	stem key	ST.37, H1150D 17-4PH, A182 F6A	1

* Repair kit components

** Available from 6" size only