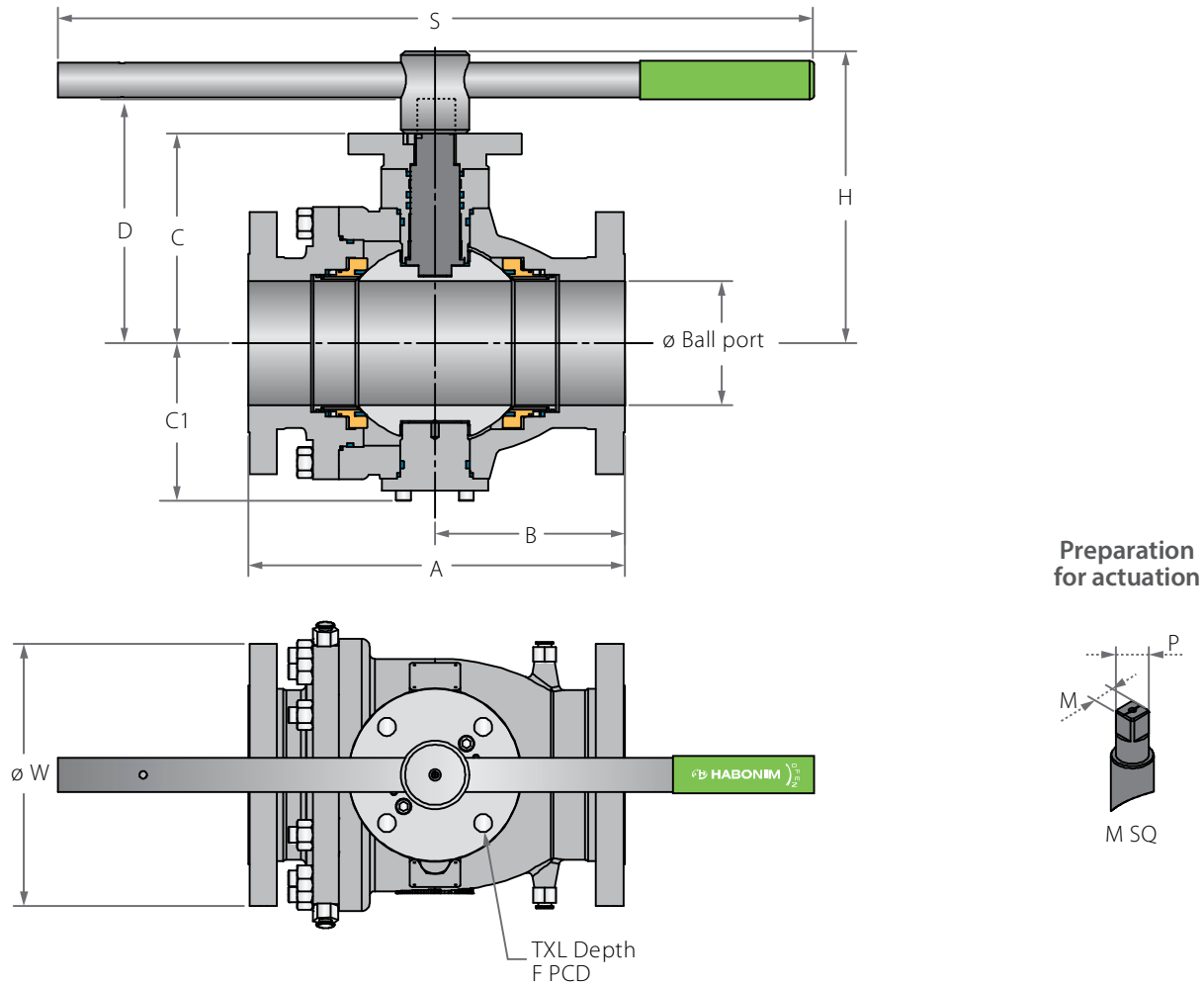


Trunnion Mounted Ball 2 Piece

Valve dimensions

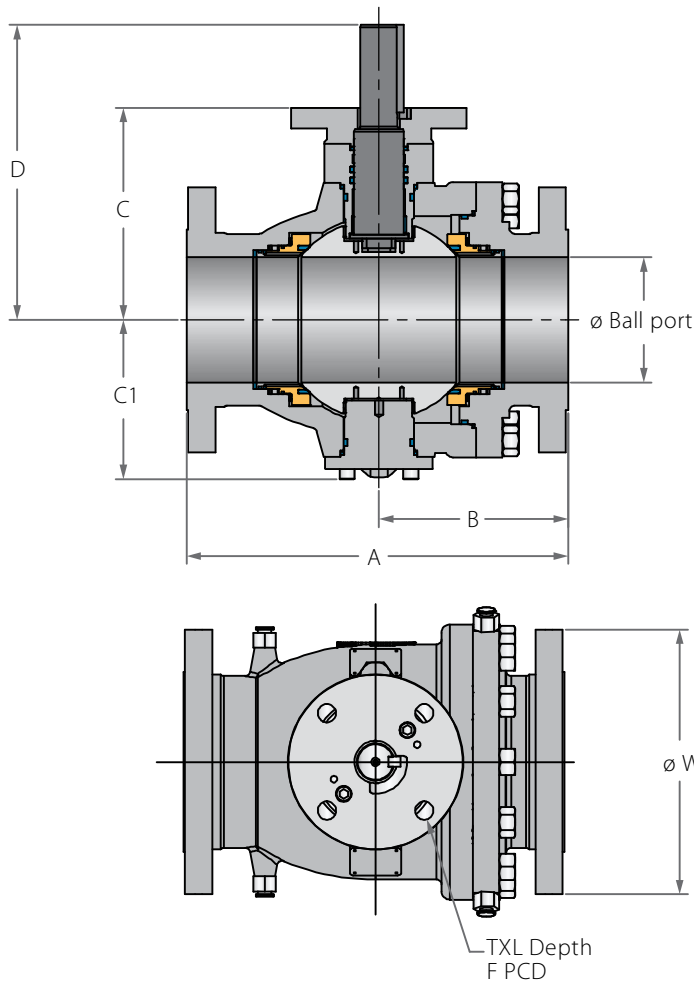


Std. port	Unit	Ball port	A	B	C	C1	D	W	MSQ	PSQ	H	S	F	TxL	Weight kg/ib	Kv Cv	
DN50	mm	49.00	292.00	131.00	144.00	119.00	168.50	165.00	22.00	28.00	219.50	401.00	(F12)	125.00	13X15 (4 holes)	35	329
2"	inch	1.93	11.50	5.16	5.67	4.69	6.63	6.50	0.87	1.10	8.64	15.79		4.92		77	380
DN80	mm	74.00	356.00	161.00	191.00	160.00	215.00	210.00	22.00	28.00	266.00	610.00	(F14)	140.00	18X24 (4 holes)	71	874
3"	inch	2.91	14.02	6.34	7.52	6.30	8.46	8.27	0.87	1.10	10.47	24.02		5.51		157	1010
DN100	mm	100.00	432.00	216.00	217.00	184.00	246.50	275.00	27.00	36.00	316.50	916.00	(F16)	165.00	22X25 (4 holes)	123	1557
4"	inch	3.94	17.01	8.50	8.54	7.24	9.70	10.83	1.06	1.42	12.46	36.06		6.50		271	1800
DN150	mm	150.00	559.00	278.00	282.50	214.50	320.50	355.00	36.00	48.20	385.00	916.00	(F16)	165.00	22X25 (4 holes)	244	3893
6"	inch	5.91	22.01	10.94	11.12	8.44	12.62	13.98	1.42	1.90	15.16	36.06		6.50		538	4500

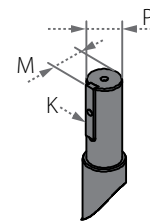


Trunnion Mounted Ball 2 Piece

Valve dimensions



Preparation for actuation



Std. port	Unit	Ball port	A	B	C	C1	D	W	P	M	K	F	TxL	Weight kg/lb	Kv Cv	
DN200	mm	201.00	660.00	330.00	312.00	263.00	409.00	420.00	72.00	76.50	20.00	(F25)	254.00	18x25 (8 holes)	412	7742
8"	inch	7.91	25.98	12.99	12.28	10.35	16.10	16.54	2.83	3.01	0.79		10.00		908	8950
DN250	mm	252.00	787.00	400.00	374.00	310.00	489.50	510.00	72.00	76.50	20.00	(F25)	254.00	18x25 (8 holes)	665	12543
10"	inch	9.92	30.98	15.75	14.72	12.20	19.27	20.08	2.83	3.01	0.79		10.00		1466	14500
DN300	mm	303.00	838.00	419.00	402.00	344.00	517.00	560.00	72.00	76.50	20.00	(F25)	254.00	18x25 (8 holes)	804	19809
12"	inch	11.93	32.99	16.50	15.83	13.54	20.35	22.05	2.83	3.01	0.79		10.00		1772	22900
DN350	mm	334.00	889.00	444.50	435.00	412.00	565.00	605.00	80.00	87.00	22.00	(F30)	298.00	22x35 (8 holes)	1170	24739
14"	inch	13.15	35.00	17.50	17.13	16.22	22.24	23.82	3.15	3.43	0.87		11.73		2579	28600
DN400	mm	385.00	991.00	515.00	500.00	442.00	636.00	686.00	98.00	104.00	28.00	(F30)	298.00	22x35 (8 holes)	1613	33735
16"	inch	15.16	39.02	20.28	19.69	17.40	25.04	27.01	3.86	4.11	1.10		11.73		3556	39000

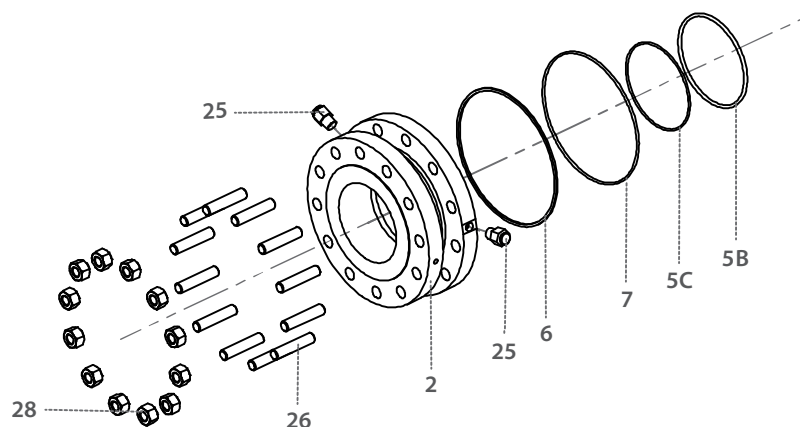
Trunnion Mounted Ball 2 Piece

Components & materials

Item	Description	Material specification	Qty.
1	Body	Acc. Ordering Code	1
2	End	Acc. Ordering Code	1
3	Ball	Acc. Ordering Code	1
4	Stem	Acc. Ordering Code	1
5*	Seat	Acc. Ordering Code	2
5A	Seat insert	Acc. Ordering Code	2
5B	Seat seal	HNBR, VITON	2-4
5C	Seat fire safe seal	Graphite	2
6*	Body fire safe seal	Graphite	1
7*	Body seal	HNBR, VITON	1
8	Ball bearing	316L+PTFE	2
9	External trunnion	A350 LF2+ENP, A479 316L, A182 F6A	1
10*	Gland plate & External trunnion fire safe seal	Graphite	2
11*	Gland plate & External trunnion seal	HNBR, VITON	2
12	Lower thrust washer	316L+PTFE	1
13	Seat spring	Inconel X750	10-26
14	Gland pin	C. Steel, S. Steel	4
15	Stem thrust seal	316L+PTFE	1
16	Gland plate bearing	316L+PTFE	1
17	Stem seal	HNBR, VITON	2
18	Gland plate	A350 LF2+ENP, A479 316L, A182 F6A	1
19	Stem grease fitting	S. Steel	1
20	Lower gland bolts	A320 L7, A193 B8M	2-6
21*	Stem gasket	Graphite	1
22	Iso plate	A350 LF2, A479 316L, A182 F6A	1
23	Upper gland bolts	A320 L7, A193 B8M	2-6
24	Plug drain valve	S. Steel	2
25**	Seat grease fitting + check valve	S. Steel	4

Item	Description	Material specification	Qty.
26	Body stud	A320 L7, A193 B8M	4-20
27	External trunnion bolts	A320 L7, A193 B8M	4-12
28	Body nut	A194 GR-7, A193 GR-8M	4-20
29	Anti-static spring	S. Steel	1
30	Wrench head	S. Steel	1
31	Wrench head bolt	A193 B8M, EN3506-1 A4-80	1
32	Pipe handle	C.St Zink plate, S.St	1
33	Sleeve	PVC	1
33	Sleeve	PVC	1

* Repair kit components
 ** Available from 6" size only





Trunnion Mounted Ball 2 Piece

