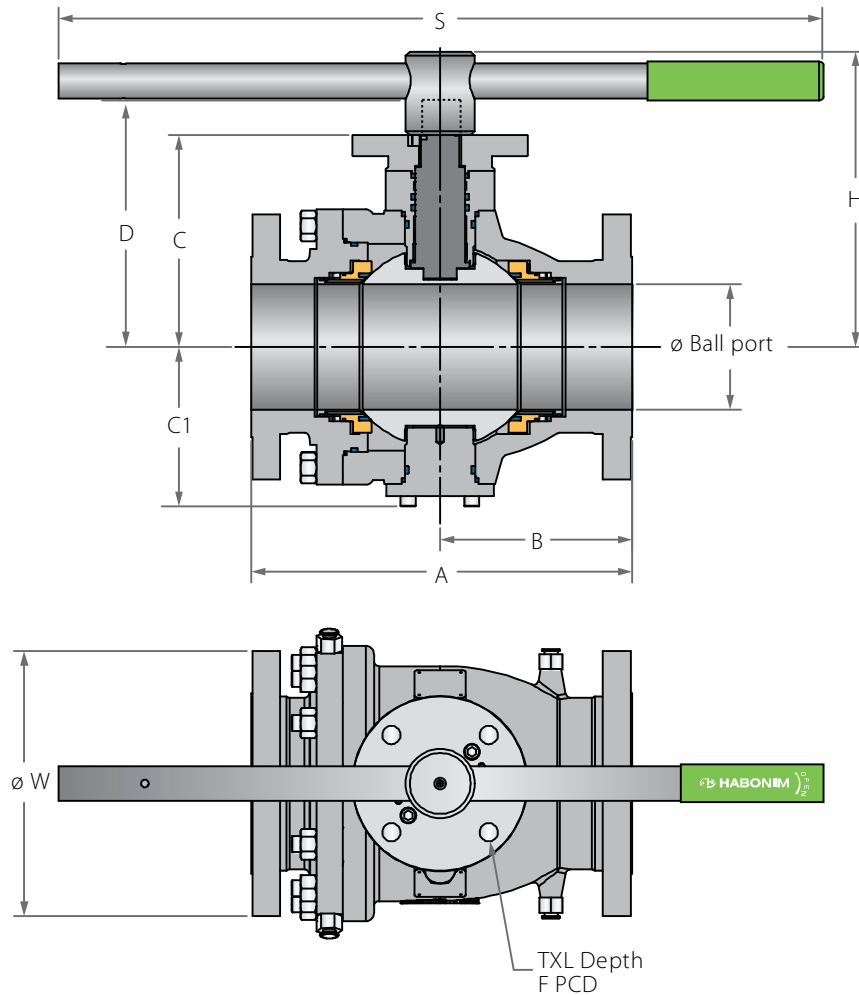
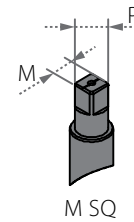


Trunnion Mounted Ball 2 Piece

Valve dimensions



Preparation for actuation

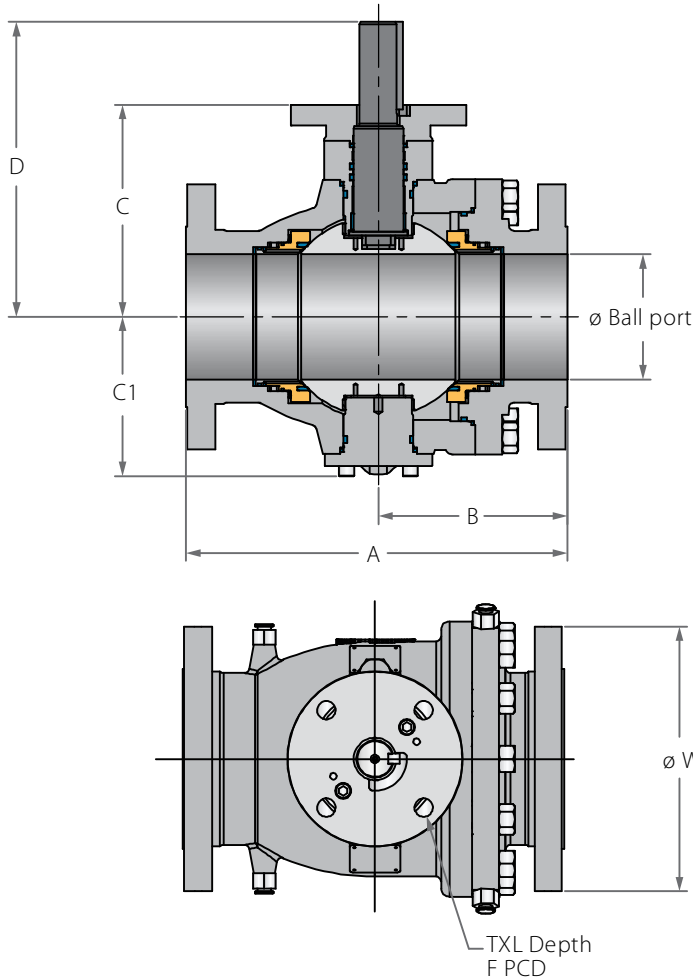


Std. port	Unit	Ball port	A		B		C	C1	D	W		MSQ	PSQ	H	S	F	TxL	Weight kg/lb		Kv / Cv		
			150	300	150	300				150	300							150	300	150	300	
DN50	mm	49.00	178.00	216.00	89.00	108.00	127.00	91.50	144.50	150.00	165.00	17.00	22.00	196.00	401.00	(F10)	102.00	11x15 (4 holes)	19	23	400	363
2"	inch	1.93	7.01	8.50	3.50	4.25	5.00	3.60	5.69	5.91	6.50	0.67	0.87	7.72	15.79	4.02			42	51	463	420
DN80	mm	74.00	203.00	283.00	101.50	128.00	148.00	117.00	172.00	190.00	210.00	22.00	32.00	223.00	610.00	(F12)	125.00	13x15 (4 holes)	33	44	1125	952
3"	inch	2.91	7.99	11.14	4.00	5.04	5.83	4.61	6.77	7.48	8.27	0.87	1.26	8.78	24.02	4.92			73	97	1300	1100
DN100	mm	100.00	229.00	305.00	114.50	140.50	171.00	139.00	198.50	230.00	255.00	27.00	35.00	247.50	610.00	(F14)	140.00	18x15 (4 holes)	49	69	2154	1860
4"	inch	3.94	9.02	12.00	4.51	5.53	6.73	5.47	7.81	9.06	10.04	1.06	1.38	9.74	24.02	5.51			108	152	2490	2150
DN150	mm	150.00	394.00	403.00	185.00	230.40	254.00	191.00	290.50	280.00	320.00	36.00	46.20	356.50	916.00	(F16)	165.00	22x25 (4 holes)	133	166	4723	4628
6"	inch	5.91	15.51	17.99	7.28	9.07	10.00	7.52	11.44	11.02	12.60	1.42	1.82	14.04	36.06	6.50			293	366	5460	5350

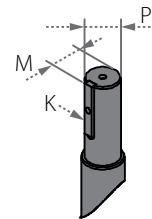


Trunnion Mounted Ball 2 Piece

Valve dimensions



Preparation for actuation



Std. port	Unit	Ball port	A		B		C	C1	D	W		P	M	K	F	TxL	Weight kg/lb		Kv / Cv		
			150	300	150	300				150	300						150	300	150	300	
DN200	mm	201.00	457.00	502.00	228.50	251.00	325.00	247.00	405.50	345.00	380.00	50.00	54.00	14.00	(F16)	165.00	22x25	222	262	9273	8737
8"	inch	7.91	17.99	19.76	9.00	9.88	12.80	9.72	15.96	13.58	14.96	1.97	2.13	0.55		6.50	(4 holes)	489	578	10720	10100
DN250	mm	252.00	533.00	568.00	270.00	287.50	353.00	297.00	430.00	405.00	445.00	50.00	54.00	14.00	(F25)	254.00	18x25	358	424	15224	14792
10"	inch	9.92	20.98	22.36	10.63	11.32	13.90	11.69	16.93	15.94	17.52	1.97	2.13	0.55		10.00	(8 holes)	789	935	17600	17100
DN300	mm	303.00	610.00	648.00	298.00	313.00	388.00	324.00	468.50	485.00	520.00	60.00	63.50	18.00	(F25)	254.00	18x25	527	613	23096	22404
12"	inch	11.93	24.02	25.51	11.73	12.32	15.28	12.76	18.44	19.09	20.47	2.36	2.50	0.71		10.00	(8 holes)	1162	1351	26700	25900
DN350	mm	334.00	686.00	762.00	343.00	381.00	425.00	372.00	555.00	535.00	585.00	72.00	78.00	20.00	(F30)	298.00	22x30	794	896	27940	26729
14"	inch	13.15	27.01	30.00	13.50	15.00	16.73	14.65	21.85	21.06	23.03	2.83	3.07	0.79		11.73	(8 holes)	1750	1975	32300	30900
DN400	mm	385.00	762.00	838.00	381.00	419.00	460.50	415.50	590.50	595.00	650.00	72.00	78.00	20.00	(F30)	298.00	22x30	1215	1344	38536	36763
16"	inch	15.16	30.00	32.99	15.00	16.50	18.13	16.36	23.25	23.43	25.59	2.83	3.07	0.79		11.73	(8 holes)	2679	2963	44550	42500

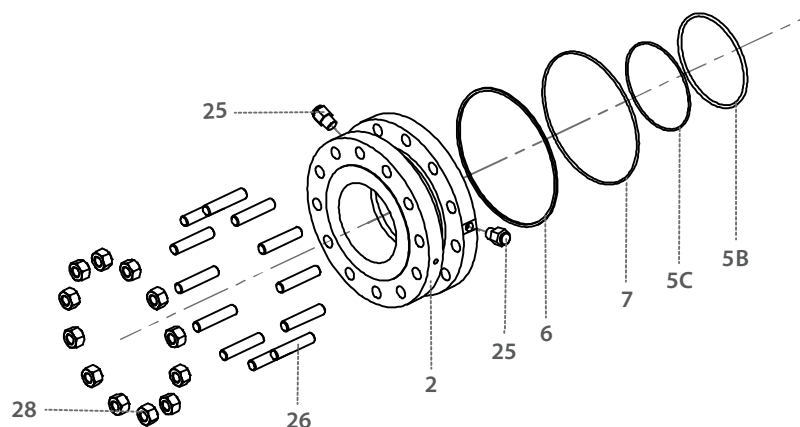
Trunnion Mounted Ball 2 Piece

Components & materials

Item	Description	Material specification	Qty.
1	Body	Acc. Ordering Code	1
2	End	Acc. Ordering Code	1
3	Ball	Acc. Ordering Code	1
4	Stem	Acc. Ordering Code	1
5*	Seat	Acc. Ordering Code	2
5A	Seat insert	Acc. Ordering Code	2
5B	Seat seal	HNBR, VITON	2-4
5C	Seat fire safe seal	Graphite	2
6*	Body fire safe seal	Graphite	1
7*	Body seal	HNBR, VITON	1
8	Ball bearing	316L+PTFE	2
9	External trunnion	A350 LF2+ENP, A479 316L, A182 F6A	1
10*	Gland plate & External trunnion fire safe seal	Graphite	2
11*	Gland plate & External trunnion seal	HNBR, VITON	2
12	Lower thrust washer	316L+PTFE	1
13	Seat spring	Inconel X750	10-26
14	Gland pin	C. Steel, S. Steel	4
15	Stem thrust seal	316L+PTFE	1
16	Gland plate bearing	316L+PTFE	1
17	Stem seal	HNBR, VITON	2
18	Gland plate	A350 LF2+ENP, A479 316L, A182 F6A	1
19	Stem grease fitting	S. Steel	1
20	Lower gland bolts	A320 L7, A193 B8M	2-6
21*	Stem gasket	Graphite	1
22	Iso plate	A350 LF2, A479 316L, A182 F6A	1
23	Upper gland bolts	A320 L7, A193 B8M	2-6
24	Plug drain valve	S. Steel	2
25**	Seat grease fitting + check valve	S. Steel	4

Item	Description	Material specification	Qty.
26	Body stud	A320 L7, A193 B8M	4-20
27	External trunnion bolts	A320 L7, A193 B8M	4-12
28	Body nut	A194 GR-7, A193 GR-8M	4-20
29	Anti-static spring	S. Steel	1
30	Wrench head	S. Steel	1
31	Wrench head bolt	A193 B8M, EN3506-1 A4-80	1
32	Pipe handle	C.St Zink plate, S.St	1
33	Sleeve	PVC	1
33	Sleeve	PVC	1

* Repair kit components
 ** Available from 6" size only





Trunnion Mounted Ball 2 Piece

