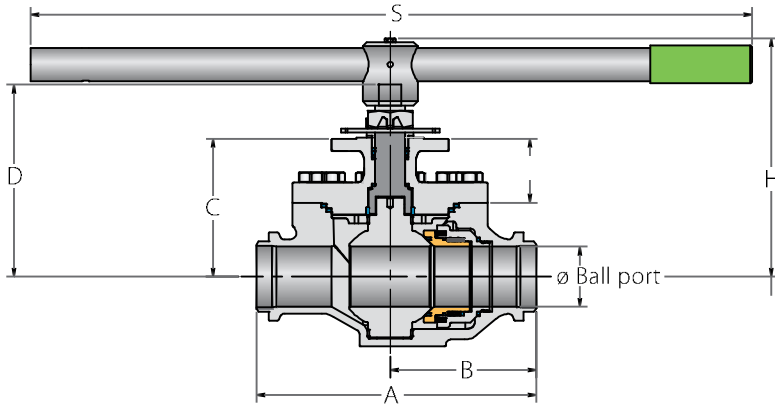


# Top Entry Trunnion Mounted Ball Valve

PATENT  
PENDING

## Valve dimensions



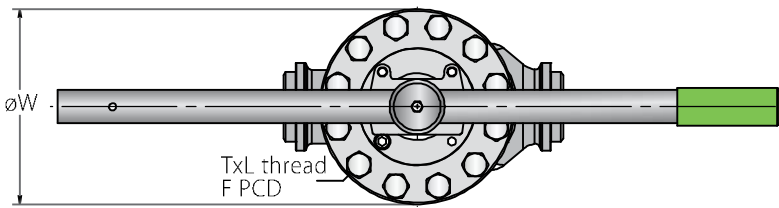
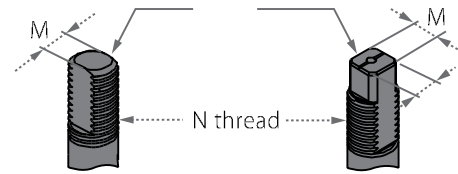
### Standard stem tops

DD Type  
for sizes 1/2" - 1 1/2"

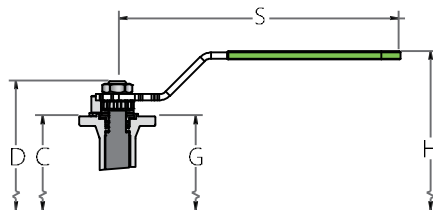
Stem flats  
show valve  
ball position

Square Type  
for sizes 2" - 6"

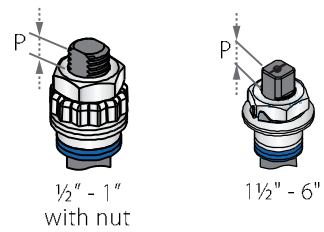
Stem groove  
shows valve  
ball position



### Handle type for sizes 1/2" - 1"



### Preparation for actuation



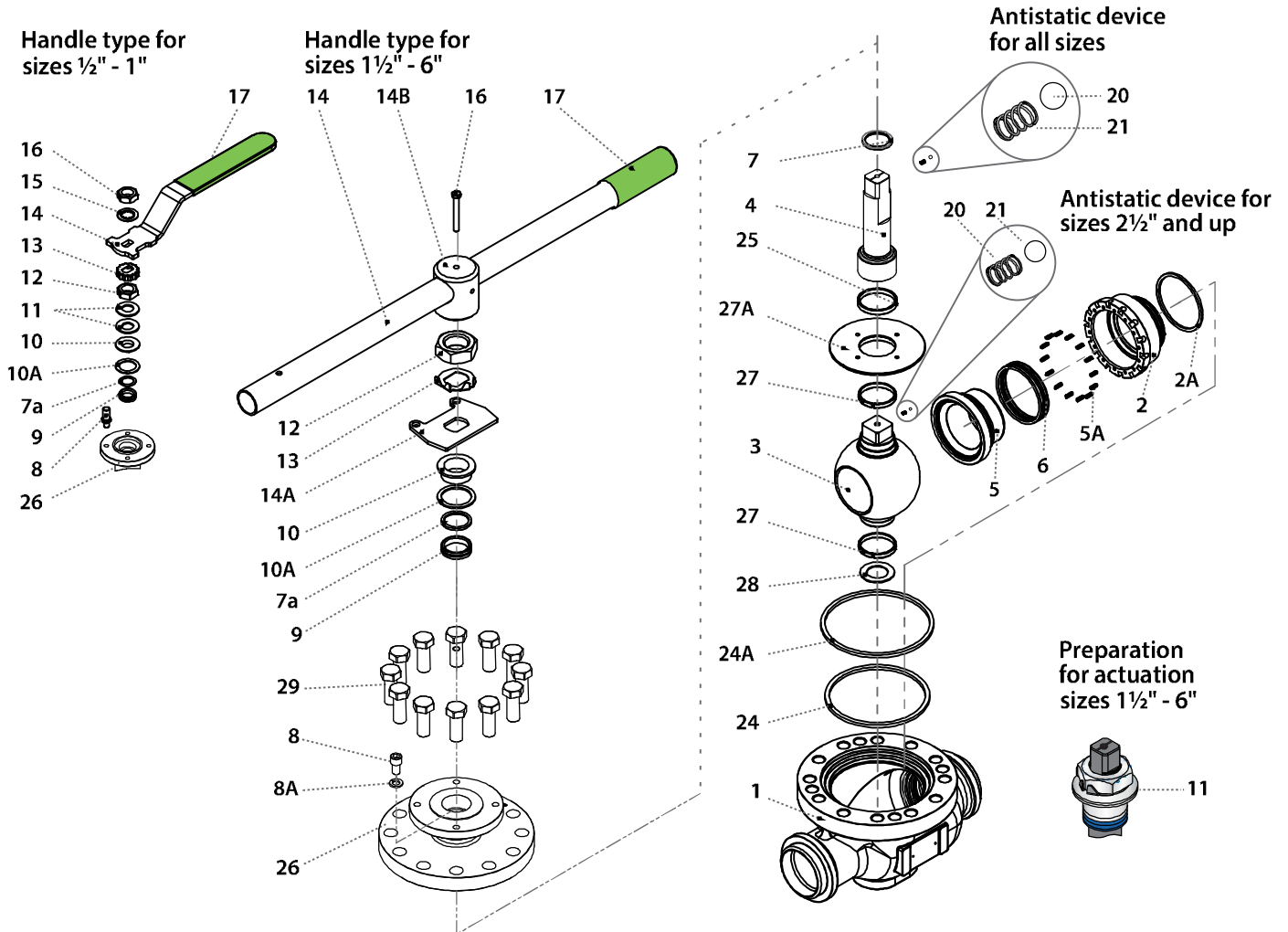
Full port	Unit	Ball port	A	B	C	D	G	H	S <sup>(1)</sup>	W	M	N	P	F	TxL	Weight kg/lb	Kv Cv
DN15	mm	14.0	165.0	88.0	69.4	86.8	30.4	112.6	187.0	105.0	7.5	7/16"-20	6.4	F04	42.0	M5x7	4.2
1/2"	inch	0.55	6.50	3.46	2.73	3.42	1.20	4.43	7.36	4.13	0.30	UNF	0.25		1.65		9.35
DN20	mm	20.0	190.0	100.0	77.0	106.5	33.0	131.5	237.0	121.0	8.7	9/16"-18	8.5	F05	50.0	M6x8	6
3/4"	inch	0.79	7.48	3.94	3.03	4.19	1.30	5.18	9.33	4.76	0.34	UNF	0.33		1.97		13.23
DN25	mm	25.4	216.0	113.0	82.0	111.5	33.0	136.5	237.0	131.0	8.7	9/16"-18	8.5	F05	50.0	M6x8	7.2
1"	inch	1.00	8.50	4.45	3.23	4.39	1.30	5.37	9.33	5.16	0.34	UNF	0.33		1.97		15.87
DN40	mm	38.2	241.0	129.0	104.6	146.2	46.0	172.2	401.0	173.0	13.9	M20x2.5	15.2	F07	70.0	M8x9	13.6
1 1/2"	inch	1.50	9.49	5.08	4.12	5.76	1.81	6.78	15.79	6.81	0.55		0.60		2.76		29.98
DN50	mm	50.8	292.0	151.0	149.5	196.0	74.5	235.5	610.0	198.0	18.9	1"-14	16.6	F10	102.0	M10x15	27
2"	inch	2.00	11.50	5.94	5.89	7.72	2.93	9.27	24.02	7.80	0.74	UNS"	0.65		4.02		58.79
DN65	mm	65.0	330.0	166.0	156.4	225.5	75.4	284.6	916.0	207.0	28.45	1 1/2"-12	26.2	F12	125.0	M12x15	41
2 1/2"	inch	2.56	12.99	6.54	6.16	8.88	2.97	11.20	36.06	8.15	1.12	UNF"	1.03		4.92		90.45
DN80	mm	76.0	356.0	186.0	175.0	244.1	81.0	303.2	916.0	248.0	28.45	1 1/2"-12	26.2	F12	125.0	M12x15	50
3"	inch	2.99	14.02	7.32	6.89	9.61	3.19	11.94	36.06	9.76	1.12	UNF	1.03		4.92		109.29
DN100	mm	100.0	432.0	224.0	192.4	261.5	80.4	321.3	916.0	305.0	28.45	1 1/2"-12	26.2	F12	125.0	M12x15	77
4"	inch	3.94	17.01	8.82	7.57	10.30	3.17	12.65	36.06	12.01	1.12	UNF	1.03		4.92		170.36
DN150	mm	150.0	559.0	285.0	264.0	376.7	115.0	440.7	916.0	392.0	35.9	2"-8	40.0	F14	140.0	M16x20	163
6"	inch	5.91	22.01	11.22	10.39	14.83	4.53	17.35	36.06	15.43	1.41	UN	1.57		5.51		359.65

<sup>(1)</sup> Manual gear or actuation is recommended, when the operation force on the handle overcomes 360N



## Top Entry Trunnion Mounted Ball Valve

### Components & materials



Item	Description	Material specification	Qty.
1	Body	Acc. Ordering Code	
2*	Seat Housing	S. Steel	1
2A*	Housing Seal	S. Steel	
3	Ball	Acc. Ordering Code	1
4	Stem	Acc. Ordering Code	
5*	Hybrid seat	A479 316/316L + TFM, CF PTFE, PCTFE	1
5A*	Seat spring	Inconel X750	
6*	Lip seal	V-PTFE + UNS R30003	1
7*	Stem thrust seal	PCTFE, TFM	
7a*	Anti-abrasion ring	PCTFE, TFM	1
8	Stop screw	EN 3506-1 A4-80	
8A	Spring washer	S. Steel	1
9*	Stem seal	TFM	
10	Follower	S. Steel	1
10A*	Slide bearing	S. Steel	
11	Disc spring	S. Steel	1
12	Stem nut	S. Steel	
13	Locking clip (Tab lock washer for 1.5" and up)	S. Steel	1
14**	Handle	S. Steel	1

Item	Description	Material specification	Qty.
14A	Stop plate	S. Steel	1
14B	Wrench head	S. Steel	
15	Serrated washer	S. Steel	1
16	Handle nut (Wrench bolt for 1.5" and up)	S. Steel	
17	Sleeve	PVC	1
20	Anti static spring	S. Steel	
21	Anti static plunger	S. Steel	1
23	Tag (not shown)	S. Steel	
24*	Cover primary seal	TFM	1
24A*	Cover secondary seal	Graphite	
25*	Stem bearing	TFM	1
26	Cover	S. Steel	
27*	Ball radial bearing	316L + PTFE	1
27A	Centering plate	S. Steel	
28*	Lower thrust washer	DIN 127 A2	1
29	Cover bolt	A193 B8M, DIN 3506 A2-70	12

\* Repair kit components

\*\* Manual gear or actuation recommended, when the operation force on the handle overcomes 360N