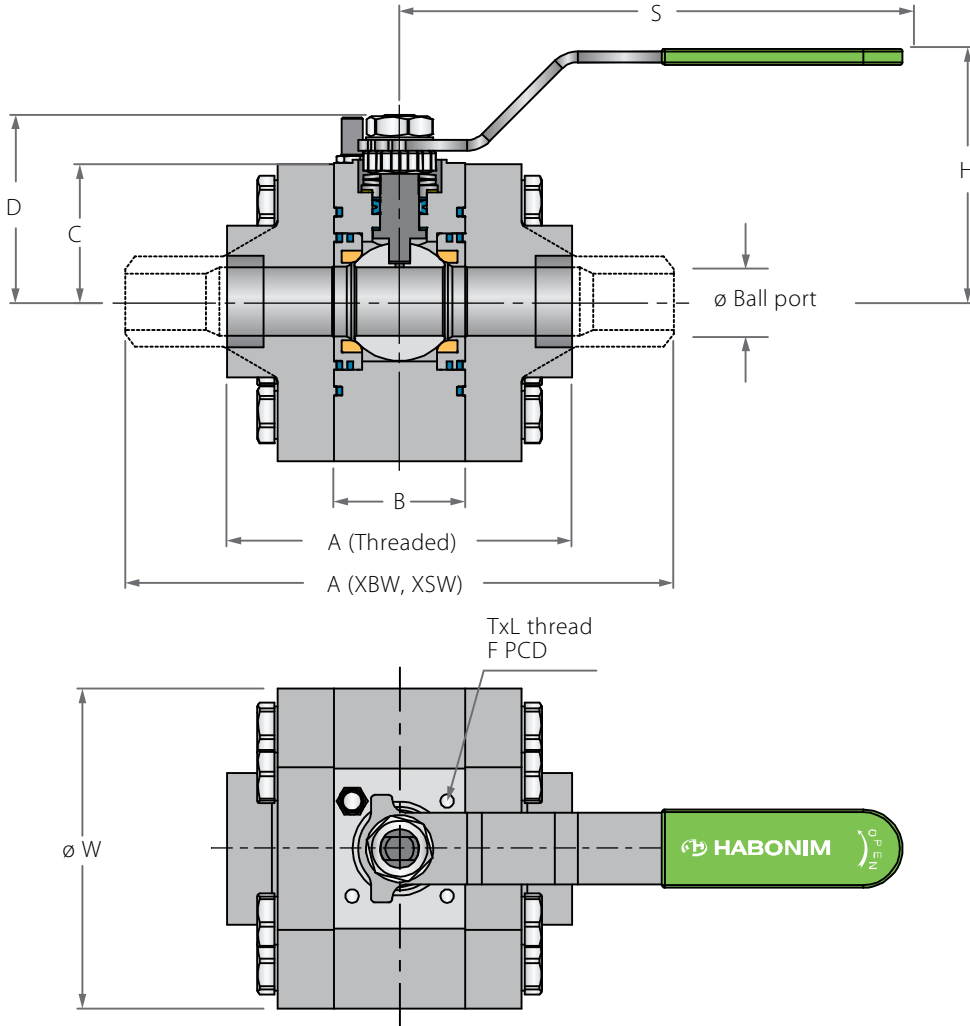
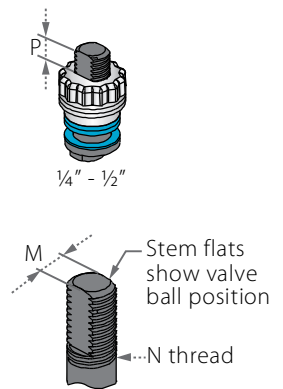


High Pressure Floating Ball 3 Piece

Valve dimensions



Preparation for actuation



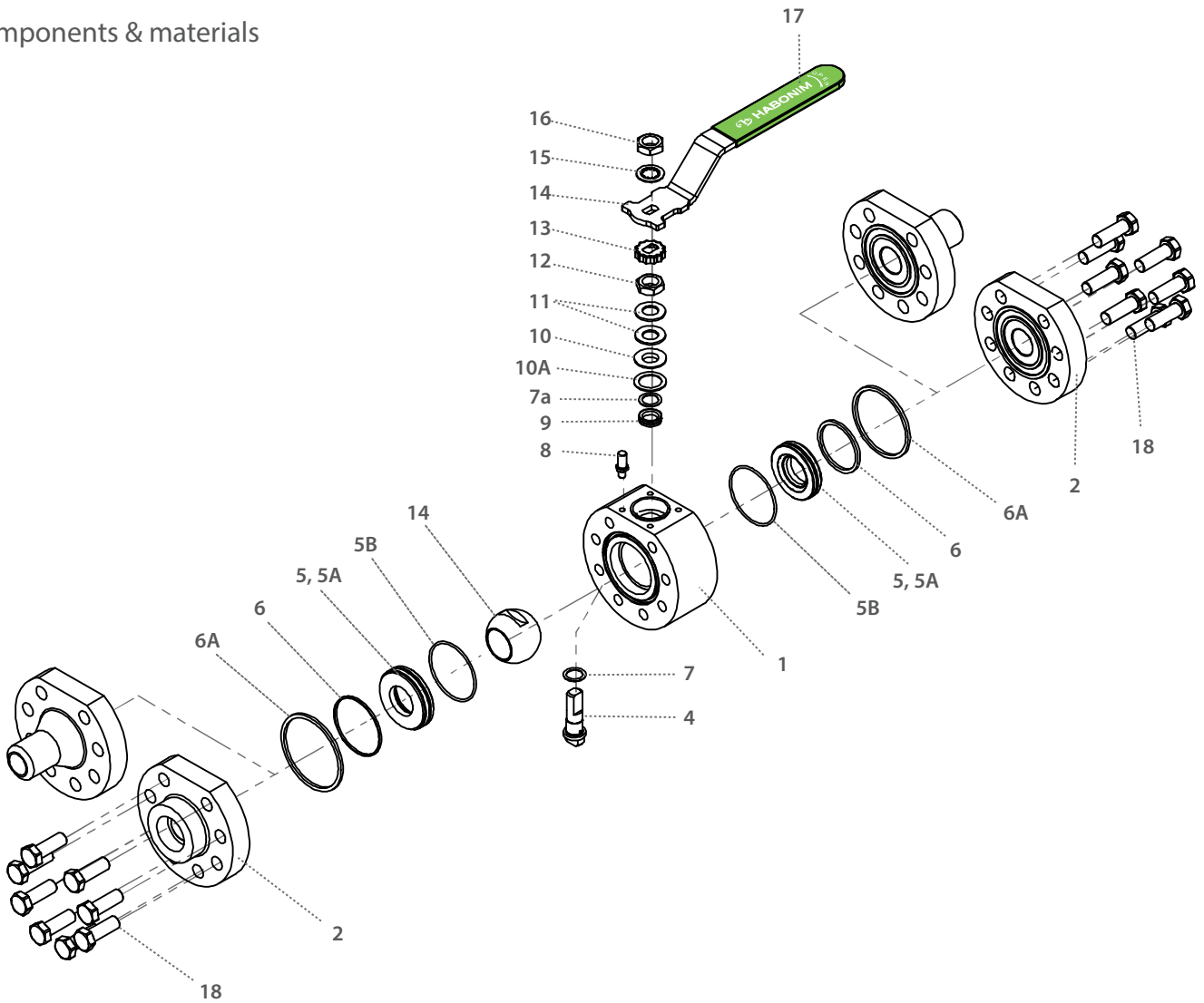
Valve Face To Face sizes are according to Habonim catalog data only, for Extended-weald/Flanged/Tri-clamp end see Face To Face sizes page.

Std. port	Unit	Ball port	A THD	A XBW/XSW	B	C	D	ØW	H	M	N	P	S	ISO PCD	F	TxL	Weight		Kv
																	THD	XBW	
DN8	mm	11.10	92.00	159.00	35.00	29.00	38.00	69.00	63.00	5.50	1/8" UNF	6.70	150.00	(F03)	36.00	M5x8	2.00	2.75	2.6
1/4"	inch	0.44	3.62	6.26	1.38	1.14	1.50	2.72	2.48	0.22		0.26	5.91	1.42	4.41		6.06	3.0	
DN10	mm	11.10	92.00	159.00	35.00	29.00	38.00	69.00	63.00	5.50	1/8" UNF	6.70	150.00	(F03)	36.00	M5x8	2.00	2.75	4.3
3/8"	inch	0.44	3.62	6.26	1.38	1.14	1.50	2.72	2.48	0.22		0.26	5.91	1.42	4.41		6.06	5.0	
DN15	mm	11.10	92.00	159.00	35.00	29.00	38.00	69.00	63.00	5.50	1/8" UNF	6.70	150.00	(F03)	36.00	M5x8	2.00	2.75	6.9
1/2"	inch	0.44	3.62	6.26	1.38	1.14	1.50	2.72	2.48	0.22		0.26	5.91	1.42	4.41		6.06	8.0	
DN20	mm	13.00	100.00	169.00	40.00	34.10	52.40	89.00	82.20	7.50	1/16" UNF	11.30	172.60	(F04)	42.00	M5x8	3.50	4.30	10
3/4"	inch	0.51	3.94	6.65	1.57	1.34	2.06	3.50	3.24	0.30		0.44	6.80	1.65	7.72		9.48	12	
DN25	mm	20.60	125.00	190.00	49.00	43.70	66.00	104.00	92.50	8.70	9/16" UNF	14.30	230.00	(F05)	50.00	M6x8	6.00	6.80	28
1"	inch	0.81	4.92	7.48	1.93	1.72	2.60	4.09	3.64	0.34		0.56	9.06	1.97	13.23		14.99	32	
DN32	mm	25.40	133.00	193.00	49.00	51.50	69.50	119.00	96.00	8.70	1/16" UNF	14.30	237.00	(F05)	50.00	M6x8	8.50	9.50	49
1 1/4"	inch	1.00	5.24	7.60	1.93	2.03	2.74	4.69	3.78	0.34		0.56	9.33	1.97	18.74		20.95	57	



High Pressure Floating Ball 3 Piece

Components & materials



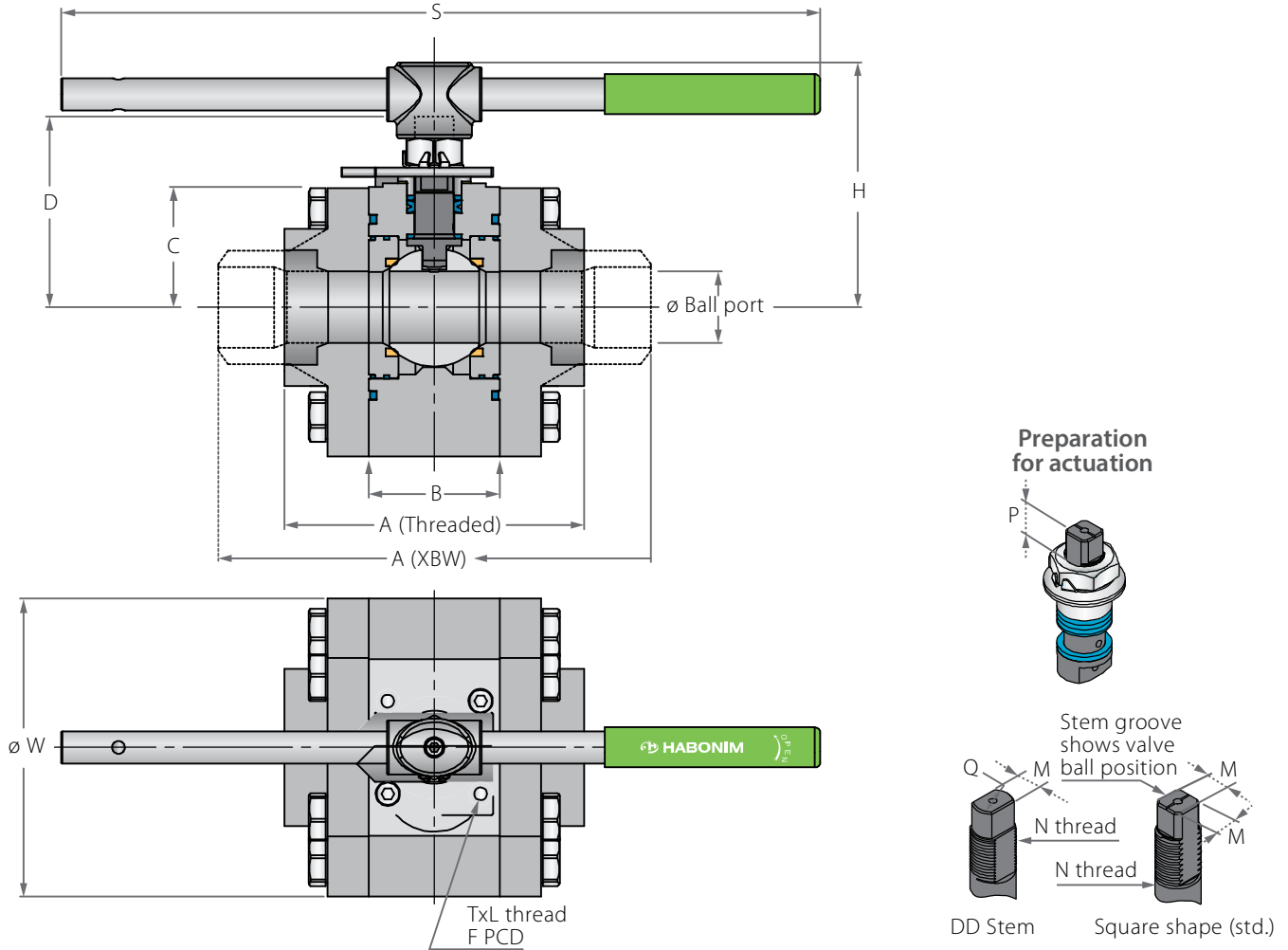
Item	Description	Material specification	Qty.
1	Body	Acc. Ordering Code	1
2	End	Acc. Ordering Code	2
3	Ball	Acc. Ordering Code	1
4	Stem	Acc. Ordering Code	1
5*	Seat insert	Acc. Ordering Code	2
5A*	Seat housing	S. Steel	2
5B*	Seat seal	Acc. Ordering Code	2
6*	Seat seal	Acc. Ordering Code	2
6A*	Body seal	Acc. Ordering Code	2
7*	Stem thrust seal	PEEK, CF PEEK, PCTFE	1
7a**	Anti-abrasion ring	PEEK, CF PEEK, PCTFE	1
8	Stop pin	S. Steel	1
10	Follower	S. Steel	1

Item	Description	Material specification	Qty.
10A*	Slide bearing	S. Steel	1
11	Disc spring	S. Steel	2
12	Stem nut	S. Steel	1
13	Locking clip	S. Steel	1
14	Handle	S. Steel	1
15	Serrated washer	S. Steel	1
16	Handle nut	S. Steel	1
17	Sleeve	PVC	1
18	Body bolt	S. Steel	12-16
20	Anti static spring	S. Steel	1
21	Anti static plunger	S. Steel	1
23	Tag (not shown)	S. Steel	1

* Repair kit components

High Pressure Floating Ball 3 Piece

Valve dimensions



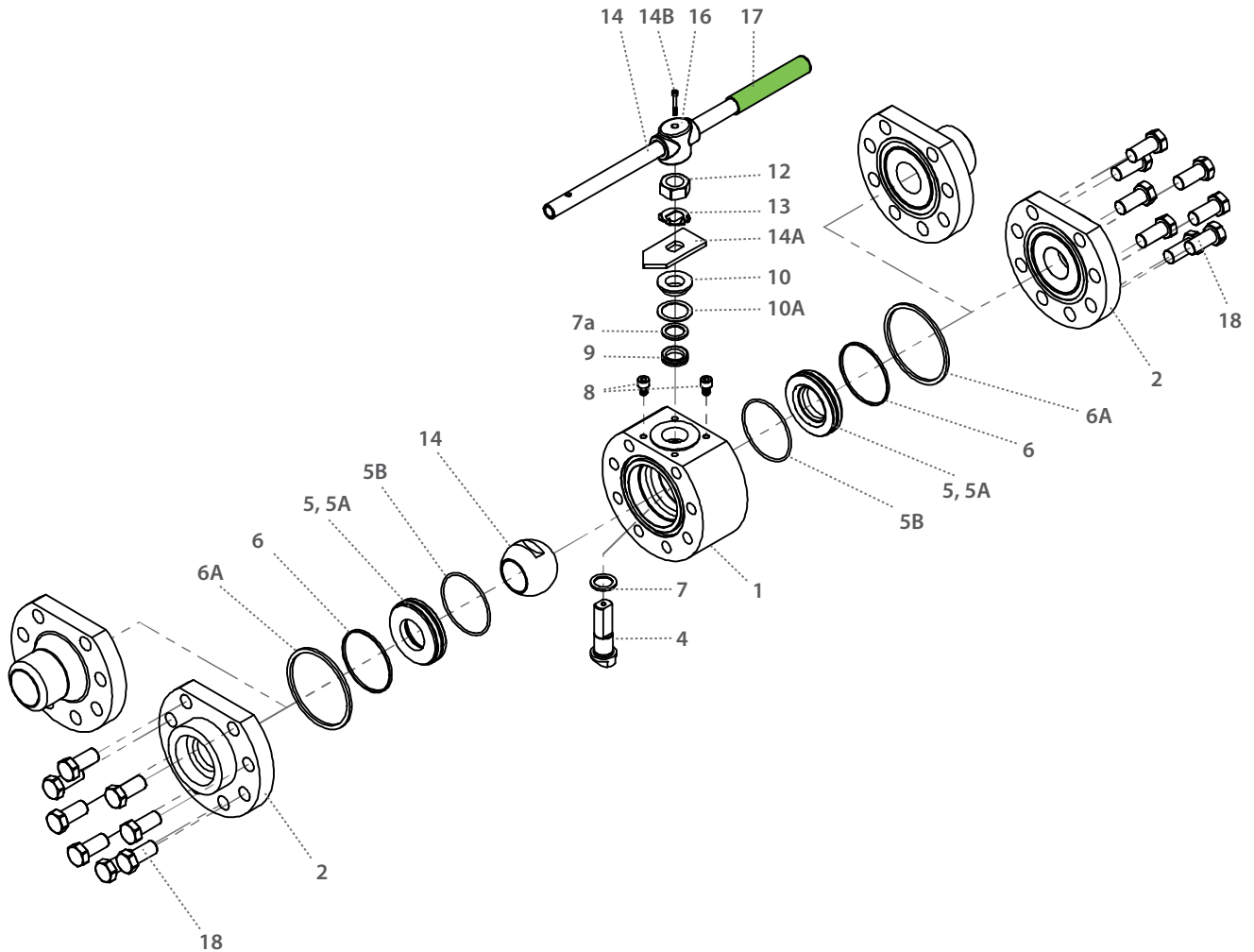
Valve Face To Face sizes are according to Habonim catalog data only, for Extended-weald/Flanged/Tri-clamp end see Face To Face sizes page.

Std. port	Unit	Ball port	A THD	A XBW/XSW	B	C	D	ØW	H	M	N	P	Q	S	ISO PCD	F	TxL	Weight		Kv
																		THD	XBW	
DN40	mm	31.80	154.00	237.00	70.00	53.00	94.60	134.00	123.30	13.90	M20x2.5	14.25	Full thread	400.00 (F07)	70.00	M8x10	12.50	14.50	69	
1½"	inch	1.25	6.06	9.49	2.76	2.09	3.72	5.28	4.85	0.55		0.56					15.75	2.76	27.56	31.97
DN50	mm	38.20	170.00	241.00	70.00	64.10	101.60	169.00	147.00	13.90	M20x2.5	13.80	Full thread	400.00 (F07)	70.00	M8x10	18.70	22.00	102	
2"	inch	1.50	6.18	9.49	2.76	2.52	4.00	6.65	5.79	0.55		0.54					15.75	2.76	41.23	48.51
DN65	mm	50.90	194.00	302.00	94.00	87.50	134.00	197.00	174.50	18.90	1 - 1/4" UNS-2A	20.00	22.70	610.00 (F10)	102.00	M10x13	34.00	36.00	208	
2½"	inch	2.00	7.64	11.89	3.70	3.44	5.28	7.76	6.87	0.74		0.79	0.89	24.02	4.02		74.97	79.38	241	
DN80	mm	63.75	254.00	378.00	115.00	110.00	167.60	249.00	229.50	28.50	1 - 1/2" UNF-2A	22.25	35.20	916.00 (F12)	125.00	M12x18	66.00	76.00	300	
3"	inch	2.51	10.00	14.88	4.53	4.33	6.60	9.80	9.04	1.12		0.88	1.39	36.06	4.92		145.53	167.58	348	
DN100	mm	82.80	N/A	410.00	130.00	136.00	203.00	298.00	263.00	28.50	1 - 1/2" UNF-2A	30.00	35.20	916.00 (F14)	140.00	M16x20	-	110.00	615	
4"	inch	3.26	N/A	16.14	5.12	5.35	7.99	11.73	10.35	1.12		1.18	1.39	36.06	5.51		-	242.55	713	
DN150	mm	111.10	N/A	510.00	175.00	177.00	281.00	389.00	-	35.90	2" UN-2A	40.00	43.50	- (F16)	165.00	M20x25	-	235.00	872	
6"	inch	4.37	N/A	20.08	6.89	6.97	11.06	15.31	-	1.41		1.57	1.71	-	6.50		-	518.18	1012	
DN200	mm	144.40	N/A	650.00	210.00	227.00	367.00	489.00	-	45.90	2-3/4" UN-2A	50.60	-	-	165.00	M24x25	-	490.00	1552	
8"	inch	5.69	N/A	25.59	8.27	8.94	14.45	19.25	-	1.81		1.99	-	-	6.50		-	1080.45	1800	



High Pressure Floating Ball 3 Piece

Components & materials



Item	Description	Material specification	Qty.
1	Body	Acc. Ordering Code	1
2	End	Acc. Ordering Code	2
3	Ball	Acc. Ordering Code	1
4	Stem	Acc. Ordering Code	1
5*	Seat insert	Acc. Ordering Code	2
5A*	Seat housing	S. Steel	2
5B*	Seat seal	Acc. Ordering Code	2
6*	Seat seal	Acc. Ordering Code	2
6A*	Body seal	Acc. Ordering Code	2
7*	Stem thrust seal	PEEK, CF PEEK, PCTFE	1
7a*	Anti-abrasion ring	PEEK, CF PEEK, PCTFE	1
8	Stop pin	S. Steel	1
9*	Stem seal	CF PTFE, TFM	1
10	Follower	S. Steel	1

Item	Description	Material specification	Qty.
10A*	Slide bearing	S. Steel	1
11	Disc spring	S. Steel	2
12	Stem nut	S. Steel	1
13	Locking clip	S. Steel	1
14	Handle	S. Steel	1
15	Serrated washer	S. Steel	1
16	Handle nut	S. Steel	1
17	Sleeve	PVC	1
18	Body bolts	S. Steel	12-16
20	Anti static spring	S. Steel	1
21	Anti static plunger	S. Steel	1
23	Tag (not shown)	S. Steel	1

* Repair kit components