

Installation, Operating & Maintenance

Flanged Ball Valves - ANSI Reduce

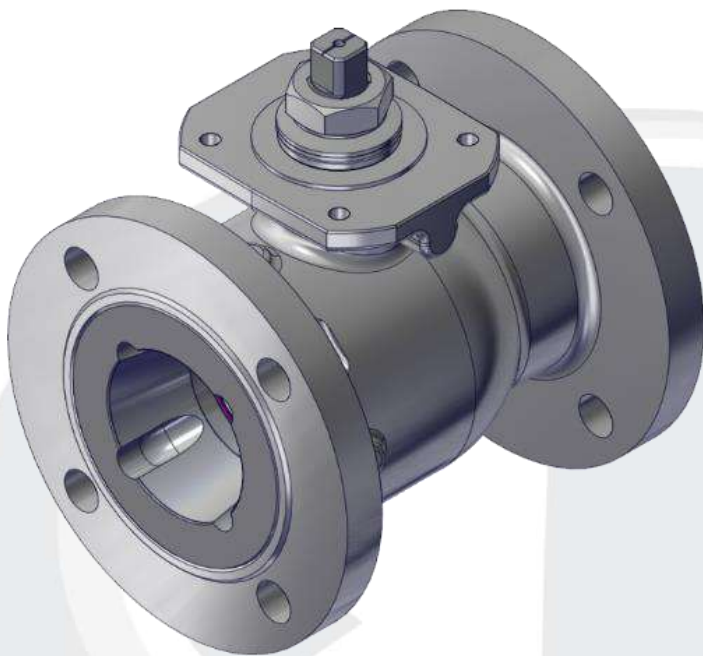
Series included:

Series 31 – Class #150

Series 32 – Class #300

Sizes included:

1/2" - 8" (DN15 – DN200)



WARNINGS & SAFETY INSTRUCTIONS

Habonim cannot anticipate all of the situations user may encounter while installing and using Habonim valves. The user **MUST** know and follow all applicable industry specifications on the safe installation and use of these valves. Misapplication of the product may result in injuries or property damage. Refer to Habonim product catalogues, product brochures and installation, operating and maintenance manuals for additional product safety information or contact Habonim.

1. Keep hands and objects away from the valve ports at all times. Actuated valves could be accidentally operated, resulting in serious injury or valve damage.
2. Before removing a valve from the line, always make sure the line has been depressurized and drained. Cycle the valve a few times to relieve any pressure that could be trapped in the body cavity.
3. Utmost caution must be taken when handling a valve that has toxic, corrosive, flammable or a contaminant nature media flowing through its pipeline. The following safety precautions are recommended when dismantling valves with hazardous media:
 - a. Wear safety glasses, protective headgear, clothing, gloves and footwear.
 - b. Have available running water.
 - c. Have a suitable fire extinguisher when media is flammable.
4. Do not try to operate a valve that exhibits any sign of leakage. Isolate the valve and either repair or replace it.
5. Do not use or substitute non Habonim components or parts in Habonim valves and assemblies.



Contents

1.	GENERAL	3
2.	SIL	3
3.	LIMITATIONS	4
4.	STORAGE	5
4.1.	LONG TERM STORAGE	5
5.	INSTALLATION	6
5.1.	GENERAL	6
5.2.	FLANGED VALVES	7
6.	OPERATING INSTRUCTIONS	8
7.	MAINTENANCE	9
8.	DISASSEMBLY AND ASSEMBLY	10
8.1.	DISASSEMBLY	10
8.2.	ASSEMBLY	11
8.3.	DISASSEMBLY AND ASSEMBLY OF HANDLES	17



1. GENERAL

This Installation, Operating & Maintenance manual represents the instructions required for safe use of Habonim ball valve. The manual relates to reduce and full bore valves.

Before using any of these series valves, read the entire IOM carefully and make sure everything is clear. Where in doubt, please consult with Habonim engineering team.

2. SIL

Under normal operating conditions the Habonim valve should be Inspected for proper functioning and signs of deterioration every 50,000 cycles or 6 months (whichever comes first). Under severe operating conditions inspection should be more frequently; detected defects should be repaired promptly. Severe operating conditions can be defined as:

- Application temperature less than: -60°C
- Application temperatures above: 260°C
- Flow velocity higher than 5 m/sec for liquids, and 200 m/sec for gaseous
- Acidic media $\text{PH} < 5$ or alkaline media $\text{PH} > 9$

Habonim recommend a proof test interval of 12 months; in case of Fail to Open ESD system, a partial stroke is acceptable to confirm that the installation is functioning properly.

For ESD systems with a Fail-To-Close demand, it is necessary to plan a system shut-down; de-energize the system and inspect the valve turning to its fully closed position.

It is essential to log-in the following parameters on site QA records

as a proof for preserving SIL capabilities: date, hour, name and signature of the responsible engineer, air pressure on site, time to close the valve, time to open the valve.

Habonim recommend valve full maintenance operation every 500,000 cycles or 4 years, whichever comes first. The combined corrosion and erosion allowance for the valve body wall thickness is 1 mm. When this allowance has been eroded or corroded, mechanically removed or otherwise, the valve should no longer be used. Inspect the valve wall thickness every time the valve is maintained.

The estimated mean time to repair (MTTR) a valve, i.e. time net (line draining or cooling down time excluded from the valve MTTR) of replacing old valve with a new one is 60 minutes.

Maintenance team must read and understand the Habonim product IOM before starting the operation. In case of a doubt please consult the Habonim engineering team.

When a valve has been repaired or any maintenance was performed, check the valve for proper function (proof testing). Any failures affecting functional safety should be reported to the Habonim factory.

Client should consult the Habonim factory in order to obtain the product assessment, FMEDA report, and other associated statistical data to satisfy SIL level.


Special condition for safe use

When connected to an actuator the maximum rubbing speed of any component within the valve must not exceed 1ms-1.

3. LIMITATIONS

The correct selection of materials of construction, seats and seals, internal valve components and pressure/temperature ratings determines the safe use of the valves and the particular performance requirements for the application. This information can be found on the name plate welded to the valve body. The combined corrosion and erosion allowance for the valve body wall thickness is 1(mm). When this allowance has gone, the valve should no longer be used. Inspect the valve wall thickness every time the valve is maintained. Refer to Habonim Corrosion Data Chart T-614 to determine the corrosion rate for your application.

As the variety of applications these valves can be used in is large, it is impossible to cover all installation and maintenance instructions for servicing the valves. It is the owner's responsibility to use the valves as recommended and in accordance with the pressure and temperature limits as stated in this manual. Where in doubt, please consult with Habonim. Any unstable fluid or gas should be identified by its manufacturer and must not be used with Habonim valves.
conditions exist.



CAUTION: The valves should be used in a well-designed, adequately protected system to **ensure that external and internal pressure and temperature limits do not exceed the valve limits.**

The valve rating is defined as the lower rating of the seat and valve body. Valve surface temperature may become extremely hot or cold due to operating conditions. Prevent any type of direct contact with the valve that may cause harm or injury. Avoid direct contact with the valve by wearing protective gloves.

The valves should be used in a well-designed, adequately supported piping system such that it will not be subjected to undue forces, stresses or shock loads during service.

The valves are not designed to operate during or after earthquakes or under fatigue conditions. It is the responsibility of the owner to determine if fatigue conditions exist.

Do not allow dust layers to build up on the equipment.

The process fluid temperature shall not exceed the ignition temperature of the dust.

4. STORAGE

Prior to storage, inspect the valve for shipping damage. Keep all protective packaging, flange covers and end caps attached to the valves during storage. It is recommended to keep the valves in a clean and dry environment until it is ready for use.

Carbon Steel valves have a “black oxide” and oil dipped finish. This nontoxic process is performed to retard rusting during storage. It is not a substitute for paint or other means of protective coating to be applied to the valve once installed.

Stainless steel valves have their natural finish and do not need any additional protection once installed.

4.1. Long Term Storage

- 4.1.1. It is advisable to store the valves in waterproof conditions. Ball valves should be protected to safeguard against humidity, Moisture, dust, dirt, sand, mud, salt spray, and sea water.
- 4.1.2. Manual ball valves must remain in the open position during the period of storage.
- 4.1.3. Actuated valves (fail to close position) remain in closed position during this time.
- 4.1.4. Valves may be stored as shipped, provided the above storage location and equipment orientation instructions are followed
- 4.1.5. In order to prevent damage, protective covers on valve ends should not be removed until immediately prior to installation.
- 4.1.6. Visual inspection should be performed on a semi-annual basis and results recorded.

5. INSTALLATION

The installation procedure for Habonim ball valves is critical to ensuring both long life and satisfying performance. Valves stored on site, awaiting installation, should be kept in their original packing, in dry conditions, where damage will not occur (See **Para. 4**).

Before carrying out the installation, it is important to follow the basic procedures described below:

5.1. General

- 5.1.1. It is essential to flush the line prior to assembling any valve on the line.
- 5.1.2. Carefully unpack the valve and check valve nameplate for identification of materials.

All valves marking is on a nameplate which is spot welded to the valve body. Valves for the European market and above 1” carry the CE mark with the information required by the PED.

Valve Marking and Labeling



- 5.1.3. Remove any special packing materials surrounding the valve.
- 5.1.4. Check the valve for the flow direction indication marks. Appropriate care must be taken, to install the valve for proper flow orientation.
- 5.1.5. Inspect the valve interior through the end ports to determine it is clean and free from foreign matter according to ASME G93-03E1.
- 5.1.6. Cycle the valve and inspect any functionally significant features.
- 5.1.7. Read all the literature and note any special warning tags or plates attached to the valve.
- 5.1.8. Before installation check to insure that the flow line balls are in the fully open position in order to prevent possible damage to the balls and seats. The valve performance depends on its original conditions. At any stage do not leave the valve in the partially open position on either of the lines.

5.2. Flanged Valves

- 5.2.1. Before installing the valves, make sure the flanges and the pipe are free from grit, dirt or burrs.
- 5.2.2. The flanges must be aligned and parallel with the correct distance to allow the valve face-to-face dimension and gaskets to fit between.
- 5.2.3. Insert the valve between the flanges. If tilting or levering of the flanges is required, avoid harming the sealing surfaces of the flanges.
- 5.2.4. Align the valve and the pipe counter flanges and insert at least 2 bolts at the lowest side of the flange to support the gaskets.
- 5.2.5. Slide the gaskets between the flanges. Insert the remaining bolts and thread the nuts hand tight.
- 5.2.6. Before tightening the bolts, make sure the gaskets are aligned with the raised face of the flanges.
- 5.2.7. Tighten the flange bolts, with a torque values determined by the gasket manufacturer, other variables like gasket type and material, bolt, flange and lubricant affect the tightening torque values.



IMPORTANT: the tightening torque selected must be high enough to ensure adequate strain (stretch) in the bolt, but not so high as to cause the material to be taken beyond yield into the plastic response region. If the initial bolt stress is too low the total amount of strain (stretch in the bolt) is low and under these circumstances any subsequent reduction in thickness of the gasket due to creep will quickly result in loss of bolt strain and subsequent leakage.

- 5.2.8. It is recommended to use ring spanners to tighten and support the bolts and nuts.
- 5.2.9. **Note:** bolts tightening must be uniform in order to create a parallel movement of the two flanges and uniform deformation of the gasket in between them.
- 5.2.10. Before flushing the line, be sure the valves are in the fully open position. Fail-to-close actuated valves should be operated to the open position for flushing.
- 5.2.11. Before pressure testing the valves, bring the valves to the half open position to ensure pressure reaches the stem seals and to avoid unnecessary loading of the seats. Fail-to-close actuated valves should be brought to the half-open position.

6. OPERATING INSTRUCTIONS

Habonim Valves provide tight shut off when used under normal conditions and in accordance with Habonim's published pressure/temperature chart.

If these valves are used in a partially open (throttled) position, seat life may be reduced. Consult with Habonim for the proper seat material selection.

On manual operated valves, the valve operation is done by turning the valve handle 90° clockwise to open (handle is parallel to flow line), and 90° counter clockwise to close (handle is perpendicular to flow line).

For unidirectional designed valves; a flow arrow indicates the flow direction of the valve for proper installation.

A silicone-based lubricant is applied to assist valve break in. The lubricant, if unacceptable, may be removed by a solvent wash.

If a shut-off valve is installed for end of line service, it must be ensured that it is closed with a blind end connection and the valve is secured against being opened unintentionally.

WARNING: Never look into the valve bore while the valve is in a flow line. Pressure and fluids could escape from the valve causing harm or injury. To prevent leakage, malfunctions resulting from internal wear or seal degradation, the user must establish a preventive maintenance and inspection program. This program must include:

- a. Inspection of parts to detect loss of wall thickness which may result in decreased pressure capacity (see **Para. 3** for acceptable reduction of wall thickness).
- b. Routine replacement of seals and inspection for proper operation (See **Para. 7** for maintenance instructions).

Valve operating torques, as published in the Habonim literature, are the normal expected maximum break-out torques. These torques have been confirmed by laboratory testing of each valve under controlled conditions. Highly viscous or abrasive media, frequency of operation and temperature fluctuations could cause an increase in valve torque.



7. MAINTENANCE

HABONIM valves have a long and reliable life, and maintenance is seldom required. When maintenance is necessary, valves can be refurbished on site.

To extend valve performance and reduce possible plant problems, the following procedures should be followed:

- 7.1. If leakage around the stem is noticed, check the stem nut torque according to value in **Table 1** (in **Para 8.2**). If the leak continues, tighten the gland nut about a 1/6-turn as a routine maintenance procedure. This will compensate for any wear or settling of the gland packing.



Caution: Excessive tightening of the stem nut can result in accelerated seal wear and high valve operating torque.

- 7.2. If the valve is removed from the line and disassembled, replacement of all seats and seals is recommended using the appropriate Habonim Repair kit. Examine all metallic sealing surfaces such as ball, stem, and the surfaces on the end connectors that contact the seats for wear, corrosion or damage.
- 7.3. Only Habonim authorized spare parts should be used. Default repair kit parts from Habonim can be found at "**components & materials**" in Habonim [catalog](#).
- 7.4. In addition to repair kits, other spare parts are available from Habonim, such as stem, glands, bolts, screws and nuts. Should additional parts be required, it is recommended that the complete valve be replaced.
- 7.5. When ordering repair kits, please provide the valve size and full figure number code and series, engraved on the valve ID tag.

8. DISASSEMBLY AND ASSEMBLY

- It is strongly recommended to review both the disassembly and assembly chapters before getting started.
- Both the disassembly and assembly chapters are for bare stem valves.
- For any discrepancies please contact Habonim.

8.1. DISASSEMBLY

The following instructions are for off-line disassembly of valves all sizes.

- 8.1.1.** Cycle the valve with the line pressure fully relieved before attempting to remove the valve from the pipeline, to insure pressure has also been discharged from the valve cavity.
- 8.1.2.** Remove the plug from the body.
- 8.1.3.** Remove and discard the seat and body seal.



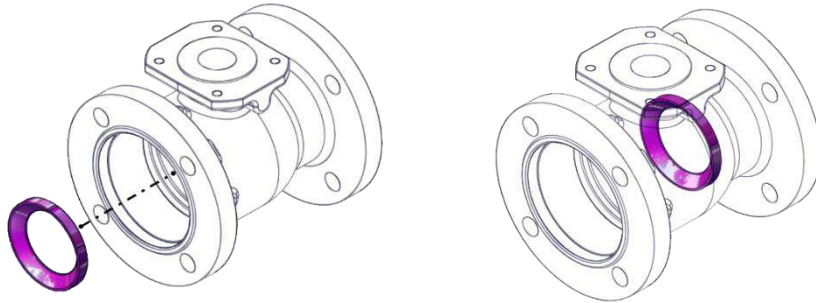
WARNING: Be careful not to damage the sealing surfaces.

- 8.1.4.** Set the valve to open position.
- 8.1.5.** Support the ball to prevent it from falling out of body and set the ball aside in a clean secure area for reuse.
- 8.1.6.** Remove and discard the inner seat.
- 8.1.7.** Remove stem nut, tab lock washer, two disc springs, follower, stem seal, and the anti-abrasion ring. Place all components removed, in a clean secure area.
- 8.1.8.** Push the stem down into the body and remove it.
- 8.1.9.** Discard the stem thrust seals, care taken not to scratch or nick the stem bore area of the body. Clean the stem and stem bore area.

8.2. ASSEMBLY

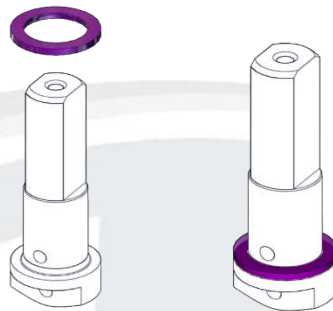
The following instructions are for off-line assembly.

8.2.1. Place a seat in the valve body with the round profile facing the core cavity.

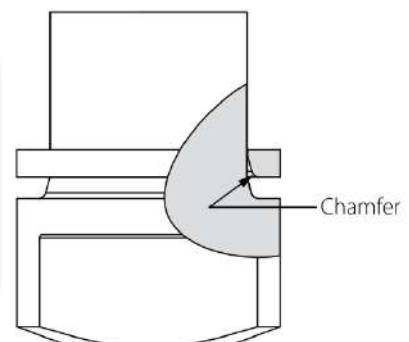


8.2.2. Lubricate the stem thrust seal and the stem seal with appropriate lubricant (Molykote 33 - thin smear).

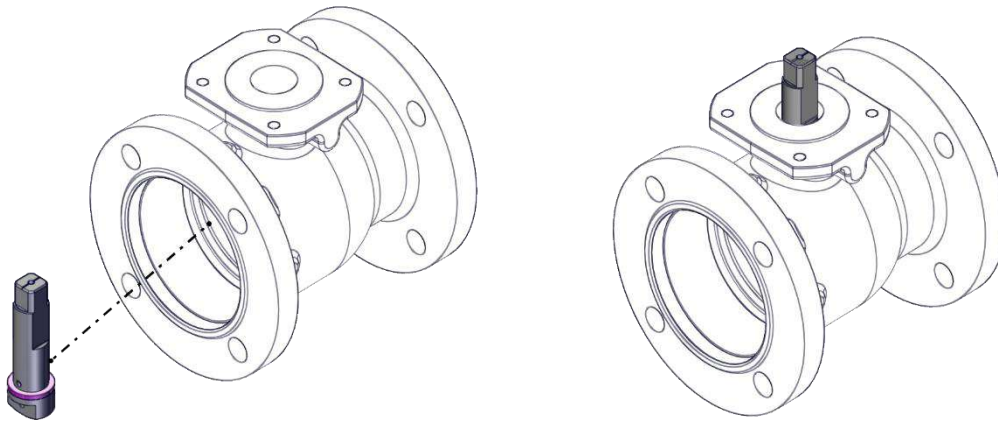
8.2.3. Place the stem thrust seal on the stem.



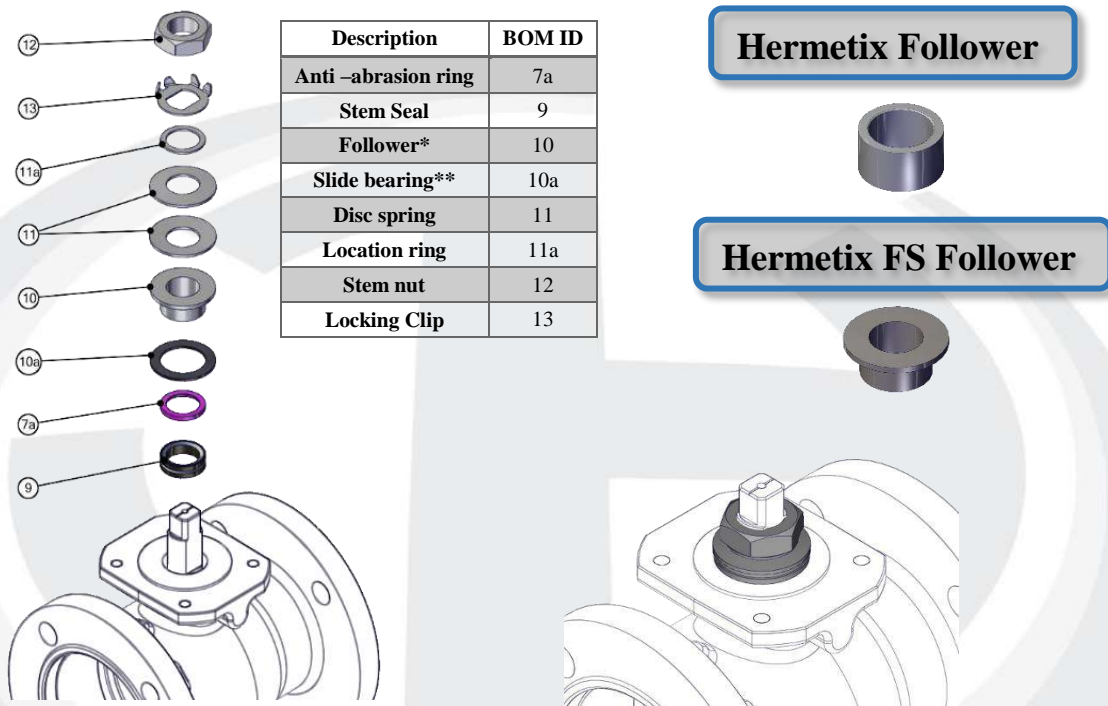
Warning: For valves size 3" and above verify that the thrust seal chamfer faces down.



8.2.4. Insert the stem horizontally into the center body with the threaded side first and carefully guide it up through the stem bore.



8.2.5. Holding the stem up insert the stem seal over the stem and into the stem bore. Place the anti-abrasion ring, follower, two disc springs, tab lock washer and Thread the stem nut onto the stem.



*The follower of Hermetix and Hermetix fire safe are different.
 **Only for Hermetix fire safe valves.

8.2.6. Tighten the stem nut onto the stem according to **table 1** and lock the locking clip.

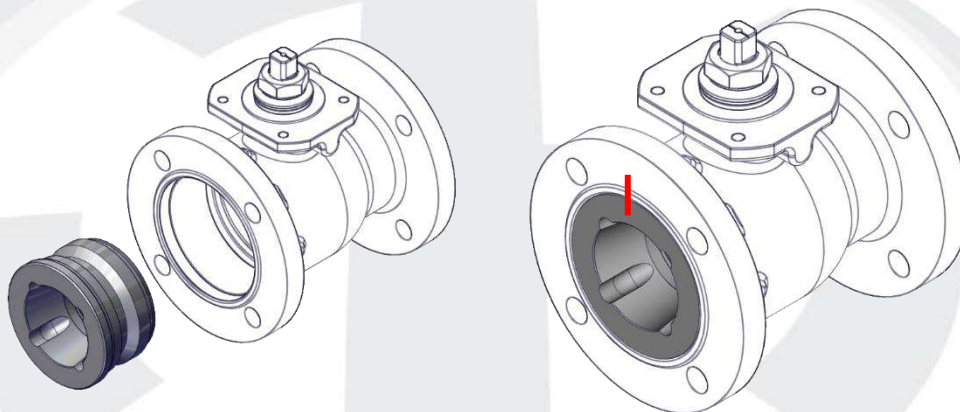
Table 1:



Important: An excessively tightened stem nut can cause excessive packing wear and increase stem torque.

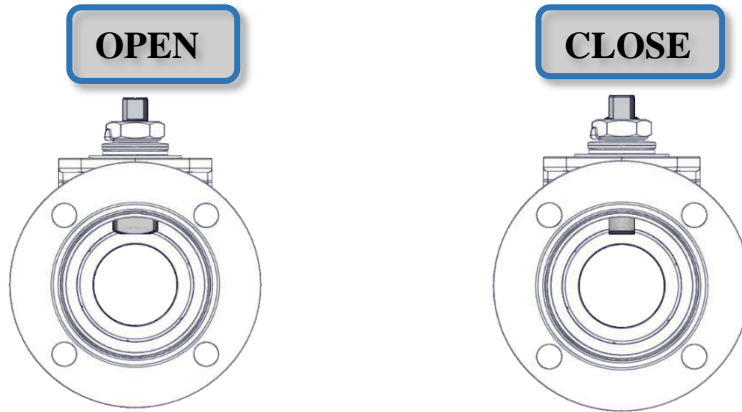
Stem Thread	CF PTFE		HERMETIX		GRAPHITE	
	N-m	Lb-In	N-m	Lb-In	N-m	Lb-In
3/8" - 24 UNF	4	35	6	53	6	53
3/8" - 24 UNF	4	35	6	53	6	53
7/16" - 20 UNF	9	80	11	97	11	97
9/16" - 18 UNF	13	115	15	133	16	140
M20x2.5 - 6G	30	265	30	265	30	265
M20x2.5 - 6G	30	265	30	265	30	265
1" - 14 UNS	60	530	60	530	72	637
1 1/2" - 12 UNF	120	1060	120	1060	145	1280

8.2.7. Close the body plug hand tight it fully stopped and mark a straight line that cross the plug and the valve flange facing.

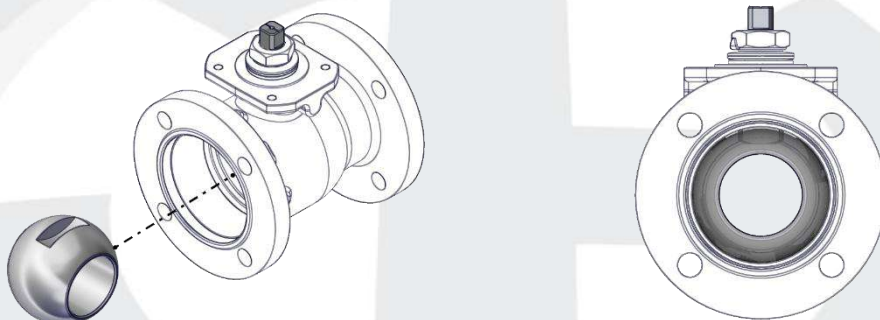


8.2.8. Remove the plug from the valve body.

8.2.9. Bring the handle to the close position and insert the ball.

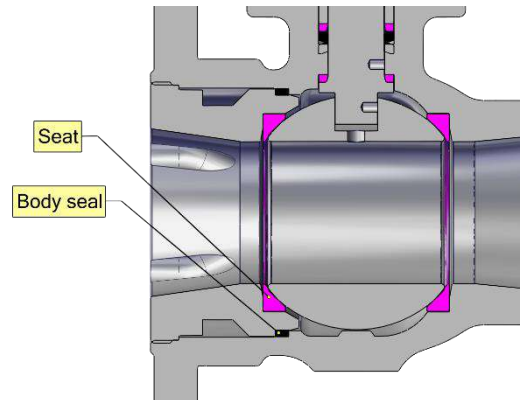
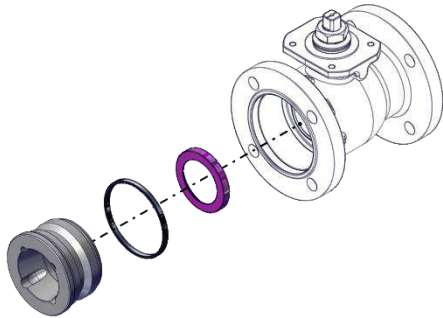


8.2.10. Place the ball in the valve body until the stem tongue is engaged, and turn the handle so the valve is at open position, to prevent the ball from falling out.



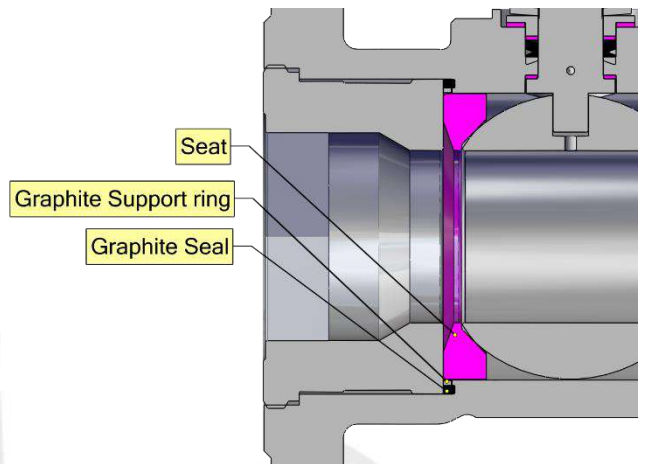
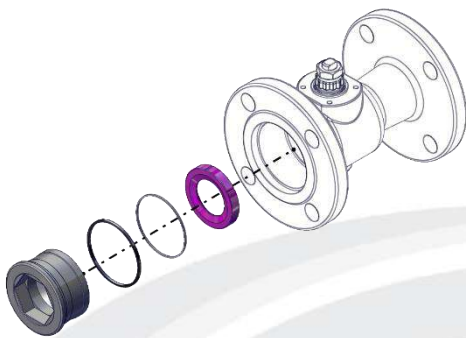
8.2.11. Place the body seal, seat and plug into the body.

Standard body seals

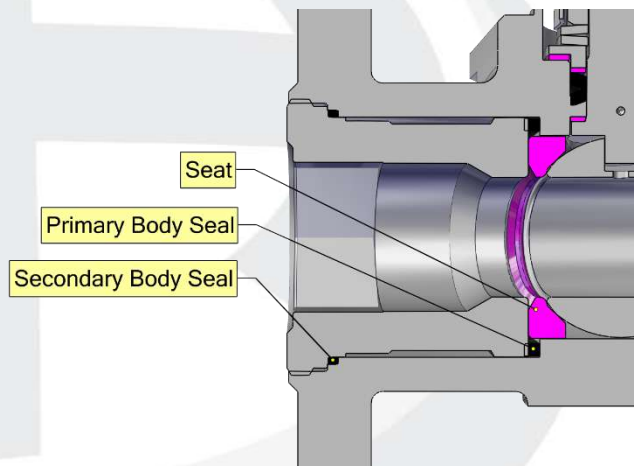
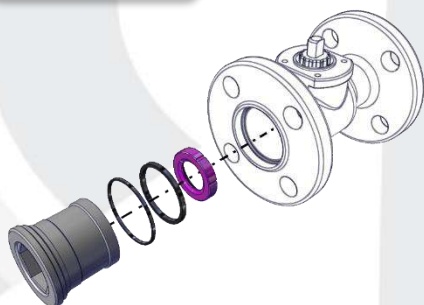


Graphite seal

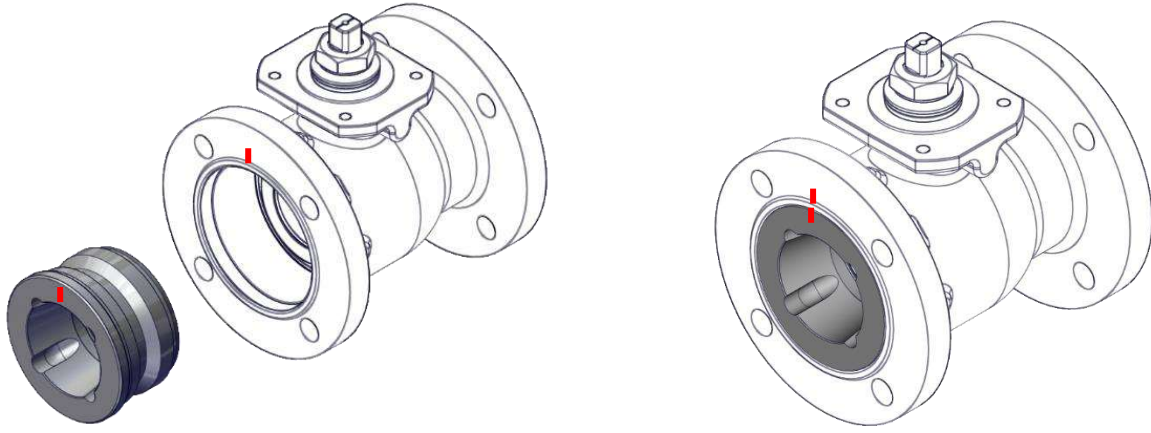
For valve sizes up 2"



G design



8.2.12. Close the body plug, until it is flush with the valve flange and both marked lines on the plug and the body are aligned.



8.3. Disassembly and assembly of handles

The following instructions are for all Habonim Hermetix and Hermetix fire safe standard "SHARK" handles and handles for larger valves (sizes 2- 1/2" and above).

8.3.1. The following instructions are for "SHARK" handle design disassembly.

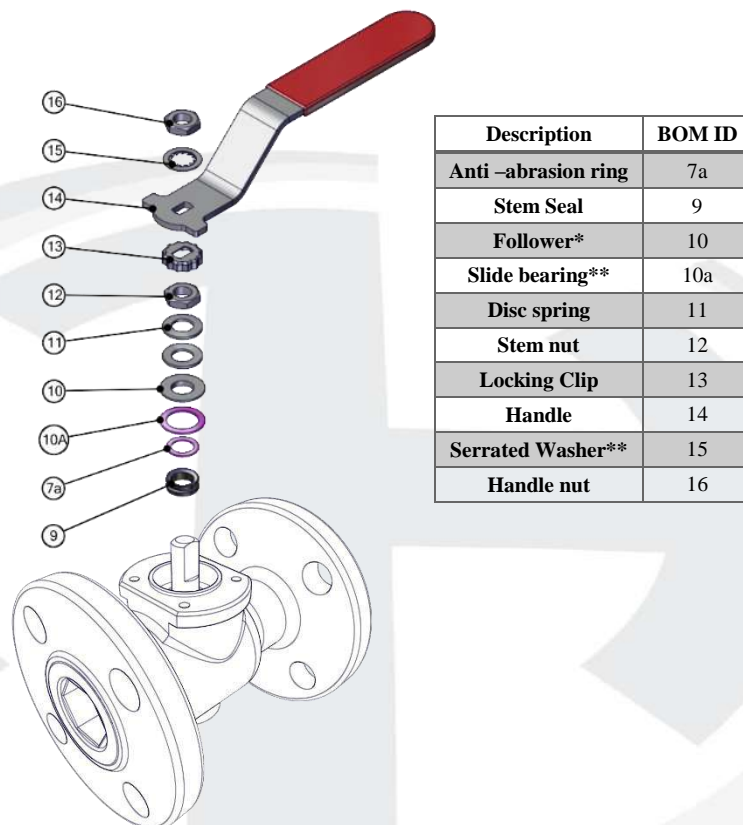
8.3.1.1. Remove the handle nut, serrated washer, handle, locking clip, stem nut, two disc springs, follower, anti-abrasion ring and stem seal. Place all components removed, in a clean secure area.

8.3.2. The following instructions are for "SHARK" handle design assembly.

8.3.2.1. Holding the stem up insert the stem seal, anti-abrasion ring, follower, slide bearing, two disc springs and Thread the stem nut onto the stem.

8.3.2.2. Tighten the stem nut onto the stem according to table 1.

8.3.2.3. Insert the locking clip, handle, serrated washer and the stem bolt.



*The follower of Hermetix and Hermetix fire safe are different.

**Only for Hermetix fire safe valves.

***Applied for only 1" and above stem assemblies.

8.3.3. The following instructions are for handle disassembly of larger valves (sizes 2- 1/2” and above).

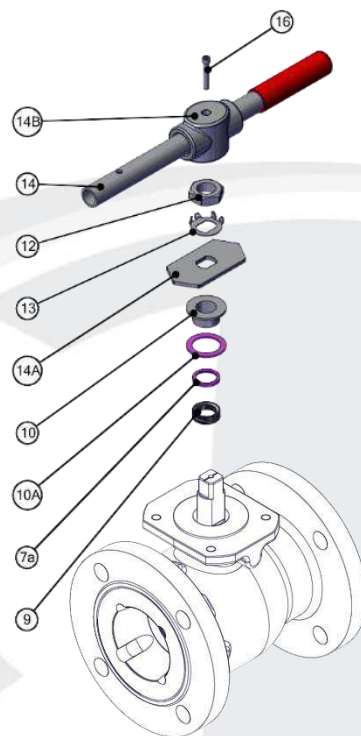
8.3.3.1.Remove wrench bolt, handle, stem nut, tab lock washer, Stop plate, follower, slide bearing, anti-abrasion ring and stem seal. Place all components removed, in a clean secure area.

8.3.4. The following instructions are for handle assembly of larger valves (sizes 2- 1/2” and above).

8.3.4.1.Holding the stem up insert the new stem seal over the stem and into the stem bore. Place the anti-abrasion ring, slide bearing, follower, Stop plate and the tab lock washer.

8.3.4.2.Thread the stem nut onto the stem and tighten the stem nut according to table 1 and lock the locking clip onto the nut.

8.3.4.3.Place the wrench head on the stem making sure it is parallel to the stem groove for ball valve position. Insert the handle through the wrench head and tighten with the wrench bolt.



Description	BOM ID
Anti –abrasion ring	7a
Stem Seal	9
Follower*	10
Slide bearing**	10a
Stem nut	12
Tab lock washer	13
Handle	14
Stop plate	14A
Wrench head	14B
Wrench bolt	16

*The follower of Hermetix and Hermetix fire safe are different.

**Only for Hermetix fire safe valves.